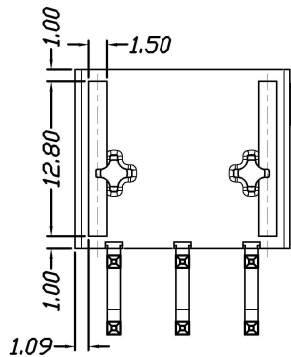
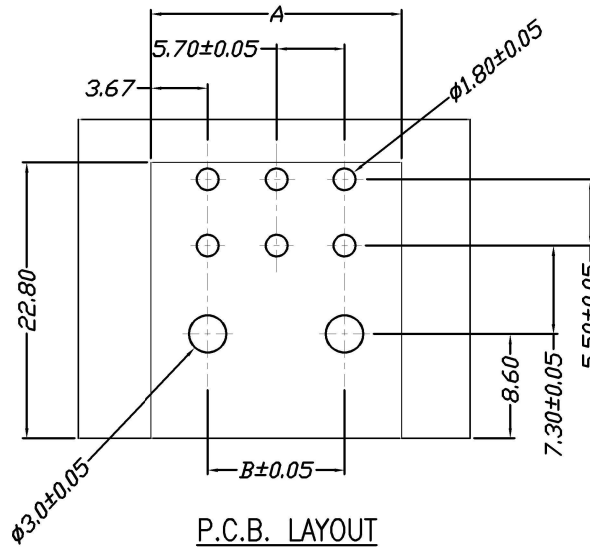
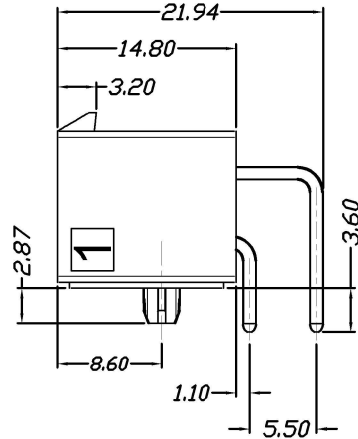
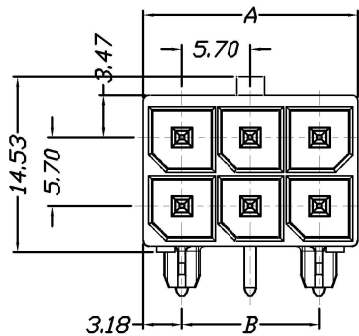
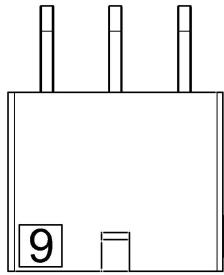


环保物料

Specifications:

Voltage Rating : 600V AC/DC
 Current Rating : 10A AC,DC
 Withstand Voltage : 2200V AC/minute
 Contact Resistance : 10mΩ(MAX.)
 Insulation Resistance : 1000MΩ(MIN.)
 Temperature Range : -40°C~+120°C



Unit: mm

Part No.	A	B
2*1P	8.35	N/A
2*2P	12.05	N/A
2*3P	17.75	11.40
2*4P	23.45	17.10
2*5P	29.15	22.80
2*6P	34.85	28.50

Material	Color	PIN Material
PA&LCP,UL94V-0	Gray	Brass/Gold&Ni-plated

		GENERAL TOLERANCES		SCALE:	NAME	DATE
		LINEAR	ANGLES	1:1		
		0.0±0.25	X° REF±6°	APPROVED	黎腾	2017.06.16
A0	新图面发行	2017.06.16	UNIT: MM	DESIGNER	肖坤权	2017.06.16
REV.	REVISION RECORD	DATE	SIZE: A4	DRAWN	旷淇	2017.06.16
		0.00±0.15	X° ±3°			
		0.000±0.08	X° X'±2°			

康导新能源
 网址: www.dgconne.com 电话: 0758-858377633
 邮箱: 2850175966@qq.com 传真: 0758-853922827

TITLE:
 5.70mm pitch Dual Wafer

PART. NO:		45701W90-2XNP*-A1-**	
DWG. NO:			
ENDE05			
REV:	A0	SHEET:	1/1