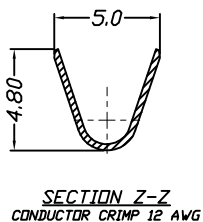
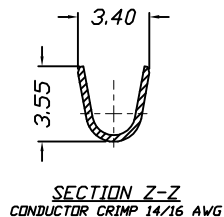
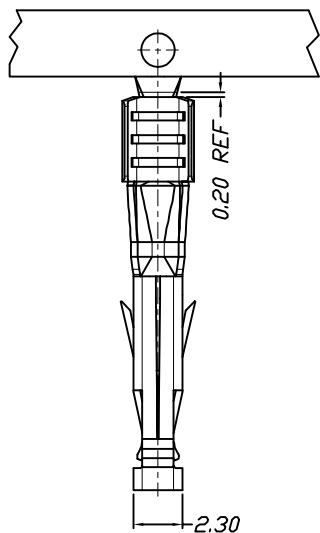
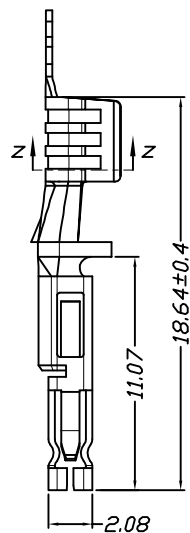


# 环保物料



### Specifications:

Voltage Rating : 600V AC/DC

Current Rating : 10A AC,DC

Withstand Voltage : 2200V AC/minute

Contact Resistance : 10mΩ(MAX.)


Insulation Resistance : 1000MΩ(MIN.)

Temperature Range : -40°C~+120°C

### Ordering Information & Specifications

Part No	Wire Range	WIRE SIZES	Material	Finish
45701T00-**-16	AWG#15-16	1.5mm <sup>2</sup>	Phosphor Bronze	Sn or Au
45701T01-**-12	AWG#12	4.0/2.5mm <sup>2</sup>	Phosphor Bronze	

Unit: mm

				GENERAL TOLERANCES		SCALE: 1:1	NAME	DATE	 <b>康导新能源</b> 网址: www.dgoonne.com 电话: 0769-853377633 邮箱: 2850175986@qq.com 传真: 0769-853922627	PART. NO: <b>45701T0*-**</b>
				LINEAR	ANGLES	APPROVED	黎腾	2017.06.16		DWG. NO: ENDE05
AO	新图面发行	2017.06.16	UNIT: MM	0.00±0.15	X° ±3°	DESIGNER	肖坤权	2017.06.16	TITLE: <b>5.70mm pitch Crimp Terminal</b>	
REV.	REVISION RECORD	DATE	SIZE: A4	0.000±0.08	X° X'±2°	DRAWN	旷淇	2017.06.16	REV: AO	SHEET: 1/1