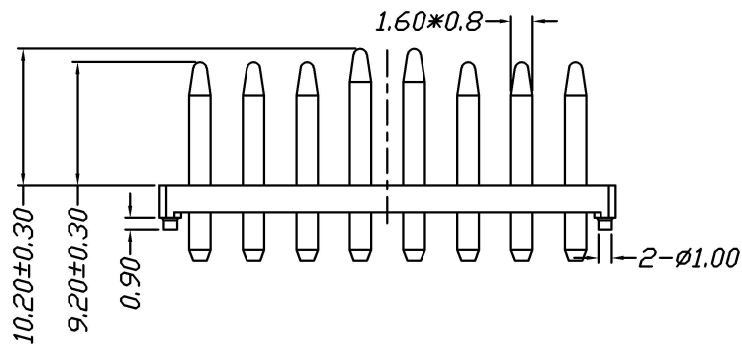
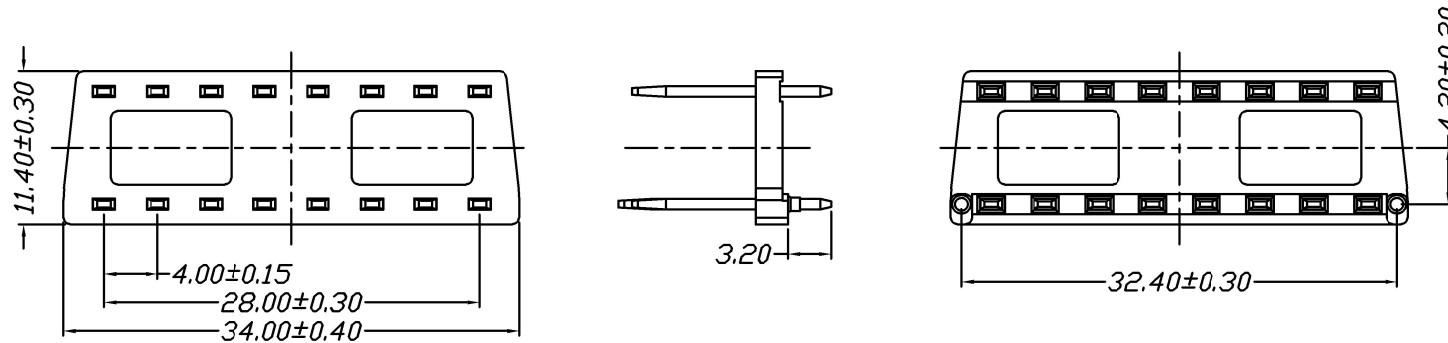


环保物料

Specifications:

Voltage Rating : 250V AC/DC
 Current Rating : 8A AC,DC
 Withstand Voltage : 1500V AC/minute
 Contact Resistance : 40mΩ(MAX.)
 Insulation Resistance : 1000V DC/1000MΩ(MIN.)
 Temperature Range : -40°C~+105°C



Material	Color	PIN Material
NYLON,UL94V-0	Black	Brass

				GENERAL TOLERANCES		SCALE: 1:1	NAME	DATE	 康导新能源 网址: www.dgoonne.com 电话: 0769-86337633 邮箱: 2850175986@qq.com 传真: 0769-86392827	PART. NO: 44001W00-2*8PA-A1-**
				LINEAR	ANGLES	APPROVED				DWG. NO:
				0.0±0.35	X° REF±6°	DESIGNER				ENDE05
AO	新图面发行	2018.7.28	UNIT: MM	0.00±0.25	X° ±3°	DRAWN	肖坤权	2018.7.28		REV: AO
REV.	REVISION RECORD	DATE	SIZE: A4	0.000±0.15	X° X'±2°					