

环保物料

Specifications:

Voltage Rating : 250V AC/DC

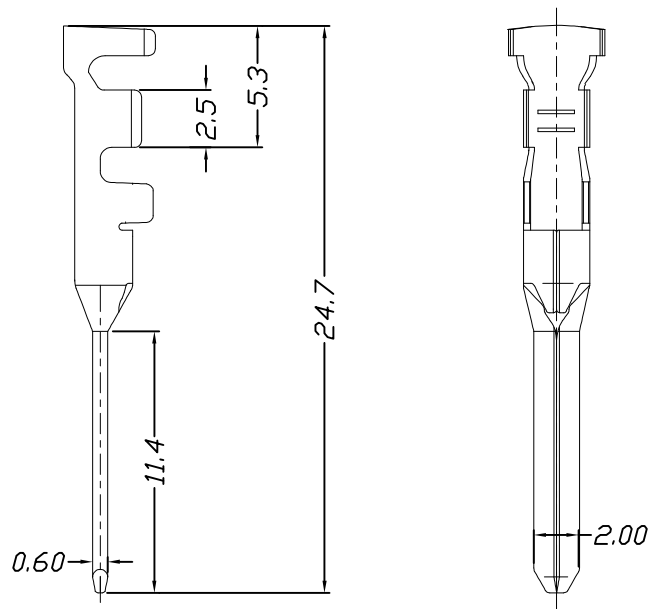
Current Rating : 8A AC,DC

Withstand Voltage : 1500V AC/minute

Contact Resistance : 15mΩ(MAX.)

Insulation Resistance : 100MΩ(MIN.)

Temperature Range : -55°C~+105°C



Ordering Information & Specifications

Part No	Wire Range	Insulation O. D.	Material	Finish
33812T 0P-**	AWG#28 -#24	0.8mm-1.4mm (1.4mm max)	Phosphor Bronze	Au or Sn
33812T 1P-**	AWG#24 -#20	1.2mm-2.6mm (2.6mm max)	Phosphor Bronze	Au or Sn
33812T 2P-**	AWG#20 -#16	1.8mm-2.8mm (2.8mm max)	Phosphor Bronze	Au or Sn
33812T 3P-**	AWG#16 -#14	2.4mm-3.4mm (3.4mm max)	Phosphor Bronze	Au or Sn

Unit: mm

		GENERAL TOLERANCES		SCALE:	NAME	DATE	康导新能源 网址: www.dgoonne.com 电话: 0769-853377633 邮箱: 2850175986@qq.com 传真: 0769-853922827	PART. NO:
		LINEAR	ANGLES	1:1	黎腾	2017.06.16		33812T*P-**
		0.0±0.25	X° REF±6°	APPROVED	肖坤权	2017.06.16		DWG. NO:
AO	新图面发行	0.00±0.15	X° ±3°	DESIGNER	肖坤权	2017.06.16		ENDE05
REV.	REVISION RECORD	0.000±0.08	X° X'±2°	DRAWN	旷淇	2017.06.16	TITLE: 3.81mm pitch Crimp Terminal	
							REV:	AO SHEET: 1/1