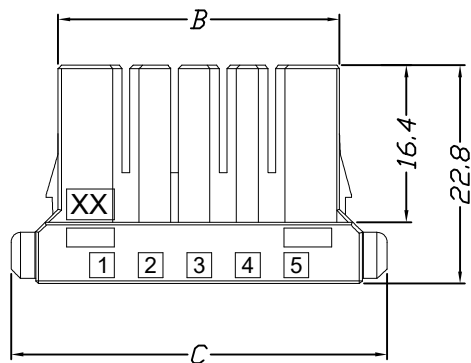
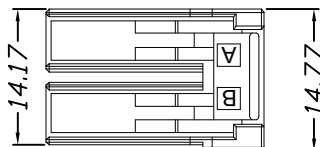
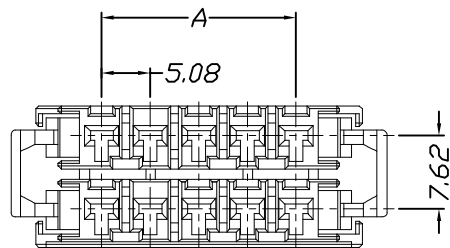


环保物料

Specifications:

Voltage Rating : 250V AC/DC
 Current Rating : 8A AC,DC
 Withstand Voltage : 1500V AC/minute
 Contact Resistance : 15mΩ(MAX.)
 Insulation Resistance : 1000V DC/1000MΩ(MIN.)
 Temperature Range : -55°C~+105°C



Part No.	Dimensions		
	A	B	C
2*3P	10.16	19.24	29.16
2*5P	20.32	29.40	29.32
2*6P	25.40	34.48	44.40
2*10P	45.72	54.80	64.72
Material		Color	
PBT,UL94V-0		Black	

				GENERAL TOLERANCES		SCALE: 1:1	NAME	DATE	康导新能源 网址: www.dgonne.com 电话: 0769-85337633 邮箱: 2850175986@qq.com 传真: 0769-85392827	PART. NO: 45082H00-NP*-PT	
				LINEAR	ANGLES					APPROVED	
AO	新图面发行	2018. 7. 28	UNIT: MM	0.00±0.25	X° ±3°	DESIGNER				TITLE: 5.08mm pitch Dual Housing	REV: AO SHEET: 1/1
REV.	REVISION RECORD	DATE	SIZE: A4	0.000±0.15	X° X'±2°	DRAWN	肖坤权	2018. 7. 28			