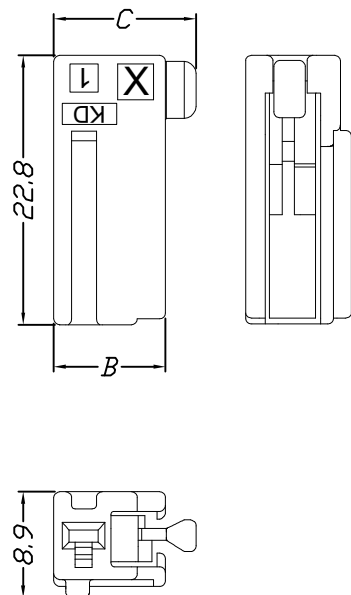


环保物料

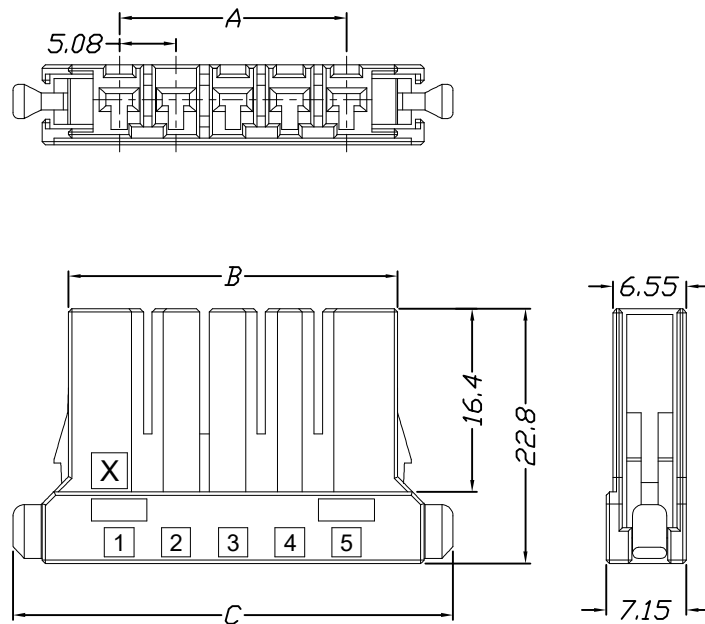
Specifications:

Voltage Rating : 250V AC/DC
 Current Rating : 8A AC,DC
 Withstand Voltage : 1500V AC/minute
 Contact Resistance : 15mΩ(MAX.)
 Insulation Resistance : 1000V DC/1000MΩ(MIN.)
 Temperature Range : -55°C~+105°C


1 circuits



2 to 6 circuits



Part No.	Dimensions		
	A	B	C
1P	-	9.40	12.00
2P	5.08	14.16	24.08
3P	10.16	19.24	29.16
4P	15.24	24.32	34.24
5P	20.32	29.40	39.32
6P	25.40	34.48	44.40
Material		Color	
PBT,UL94V-0		Black	

				GENERAL TOLERANCES		SCALE: 1:1	NAME	DATE	 康导新能源 网址: www.dgoonne.com 电话: 0769-85337633 邮箱: 2850175986@qq.com 传真: 0769-85392827	PART. NO: 45081H00-NP*-PT
				LINEAR	ANGLES	APPROVED				DWG. NO: ENDE05
				0.0±0.35	X° REF±6°	DESIGNER				REV: AO SHEET: 1/1
AO	新图面发行	2018.7.28	UNIT: MM	0.00±0.25	X° ±3°	DRAWN	肖坤权	2018.7.28		TITLE: 5.08mm pitch Single Housing
REV.	REVISION RECORD	DATE	SIZE: A4	0.000±0.15	X° X'±2°					