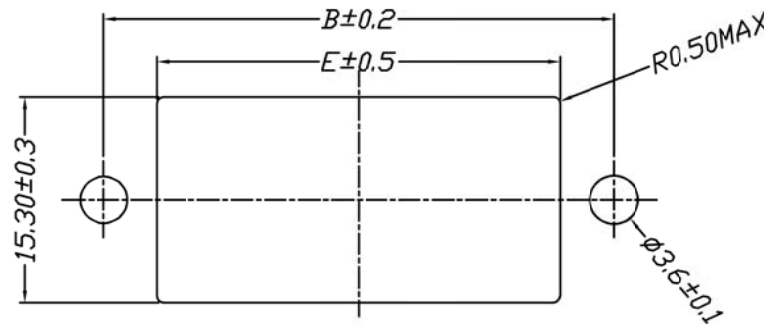
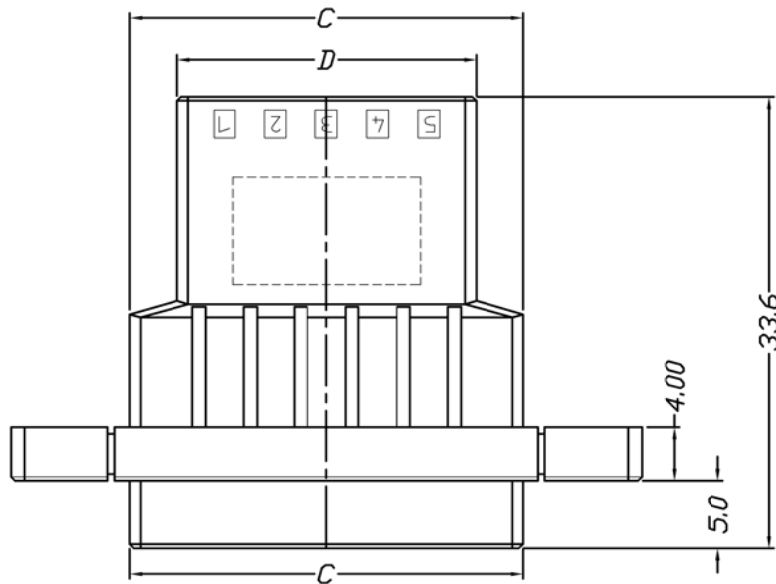


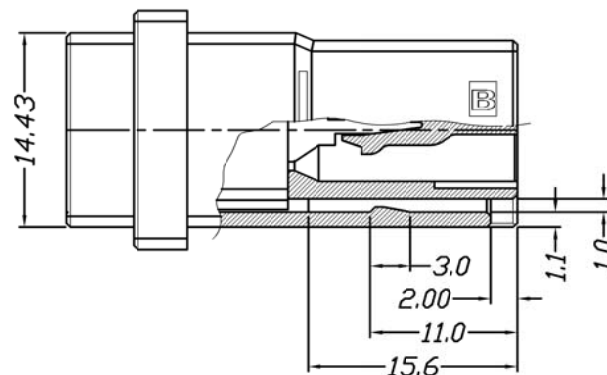
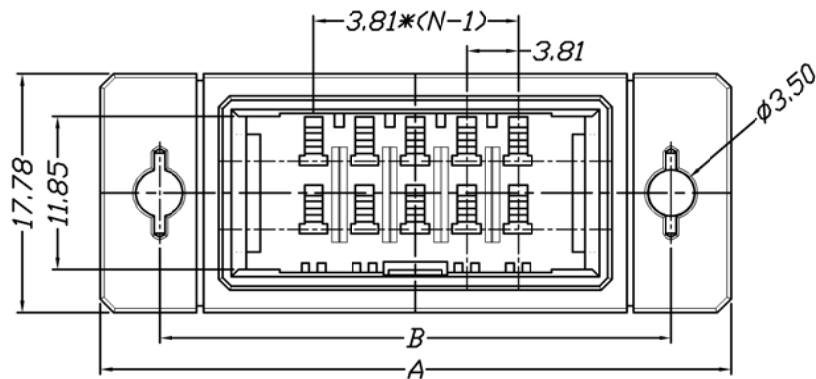
环保物料

Specifications:

Voltage Rating : 250V AC/DC
 Current Rating : 8A AC,DC
 Withstand Voltage : 1500V AC/minute
 Contact Resistance : 15mΩ(MAX.)
 Insulation Resistance : 1000V DC/1000MΩ(MIN.)
 Temperature Range : -55°C~+105°C



RECOMMENDED PANEL LAYOUT



Circuits Part No	Dimensions				
	A	B	C	D	E
2*10P	67.0	58.0	48.29	41.29	49.2
2*8P	59.0	50.0	40.67	33.67	41.6
2*6P	51.0	42.0	33.05	26.05	34.0
2*5P	47.0	38.0	29.24	22.24	30.2
2*3P	40.0	31.0	21.62	14.62	22.6
Material		Color			
PBT,UL94V-0		Black			

		GENERAL TOLERANCES		SCALE:	NAME	DATE	<p>康导新能源 网址: www.dgoonne.com 电话: 0769-85337633 邮箱: 2850175986@qq.com 传真: 0769-85392827</p>	PART NO:						
		LINEAR	ANGLES	1:1	APPROVED			33811H00-2*NPA-2-PT						
		0.0±0.35	X° REF±6°		DESIGNER			DWG. NO:						
A0	新图面发行	2018.7.28	UNIT: MM	0.00±0.25	X° ±3°			ENDE05						
REV.	REVISION RECORD	DATE	SIZE: A4	0.000±0.15	X° X'±2°	DRAWN	肖坤权	2018.7.28	TITLE:	3.81mm pitch Dual Housing	REV:	A0	SHEET:	1/1