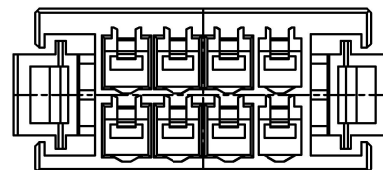
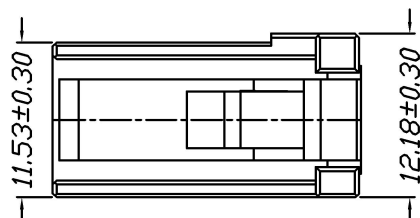
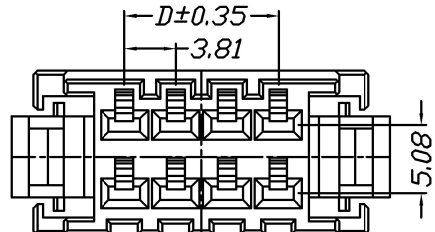
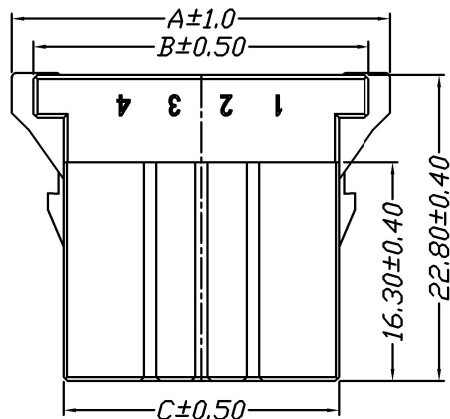


环保物料

Specifications:

Voltage Rating : 250V AC/DC
 Current Rating : 8A AC,DC
 Withstand Voltage : 1500V AC/minute
 Contact Resistance : 15mΩ(MAX.)
 Insulation Resistance : 1000V DC/1000MΩ(MIN.)
 Temperature Range : -55°C~+105°C



Part No	Dimensions			
	A	B	C	D
2*3P	24.36	21.16	16.70	7.62
2*4P	28.17	24.97	20.51	11.43
2*5P	31.98	28.78	24.32	15.24
2*6P	35.79	32.59	28.13	19.05
2*8P	43.41	40.21	35.75	26.67
2*10P	51.03	47.83	43.37	34.29
Material			Color	
PBT,UL94V-0			Black	

				GENERAL TOLERANCES		SCALE:	NAME	DATE	 <p>康导新能源 网址: www.dgoonne.com 电话: 0769-85337633 邮箱: 2850175986@qq.com 传真: 0769-85392827</p>	PART. NO:	43811H00-2*NPA-PT		
				LINEAR	ANGLES	1:1	APPROVED			DWG. NO:	ENDE05		
				0.0±0.35	X° REF±6°		DESIGNER			REV:	A0	SHEET:	1/1
AO	新图面发行	2018.7.28	UNIT: MM	0.00±0.25	X° ±3°		DRAWN	肖坤权		TITLE:		3.81mm pitch Dual Housing	
REV.	REVISION RECORD	DATE	SIZE: A4	0.000±0.15	X° X'±2°								