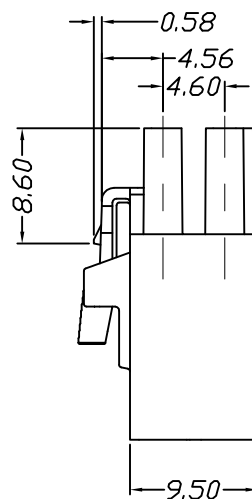
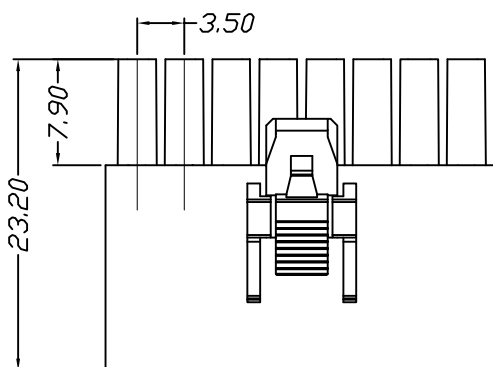
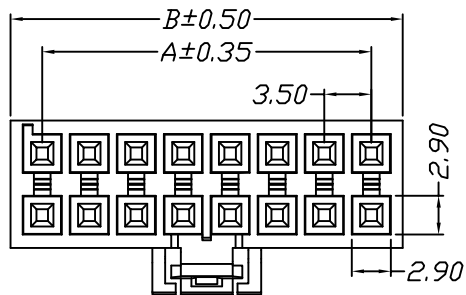


环保物料

Specifications:

Voltage Rating : 250V AC/DC  
 Current Rating : 7A AC,DC  
 Withstand Voltage : 1500V AC/minute  
 Contact Resistance : 20mΩ(MAX.)  
 Insulation Resistance : 1000V DC/1000MΩ(MIN.)  
 Temperature Range : -40°C~+120°C



Part No	Dimensions	
	A	B
2*2P	3.50	8.20
2*3P	7.00	11.70
2*4P	10.50	15.20
2*5P	14.00	18.70
2*6P	17.50	22.20
2*7P	21.00	25.70
2*8P	24.50	29.20
Material		Color
PA6T,UL94V-0		Black

				GENERAL TOLERANCES		SCALE: 1:1	NAME	DATE	 <p>康导新能源                  网址: www.dgconne.com 电话: 0769-85337633                  邮箱: 2850175986@qq.com 传真: 0769-85392827</p>	PART. NO: 43501H00-2XNP*-6T	
				LINEAR	ANGLES	APPROVED				DWG. NO: ENDE05	
AO	新图面发行	2018. 7. 28	UNIT: MM	0.00±0.25	X° REF±6°	DESIGNER				REV: AO	SHEET: 1/1
REV.	REVISION RECORD	DATE	SIZE: A4	0.000±0.15	X° X'±2°	DRAWN	肖坤权	2018. 7. 28		TITLE: 3.50mm pitch Dual Housing	