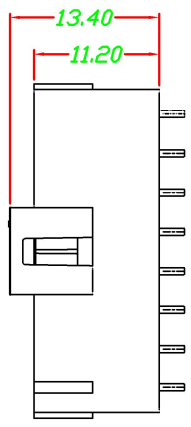


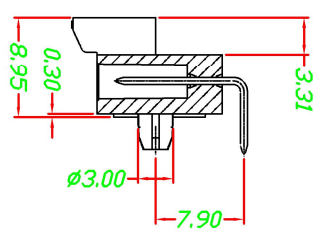
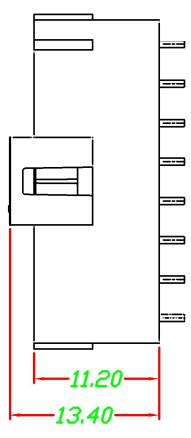
环保物料

1 2 3 4 5 6 7 8

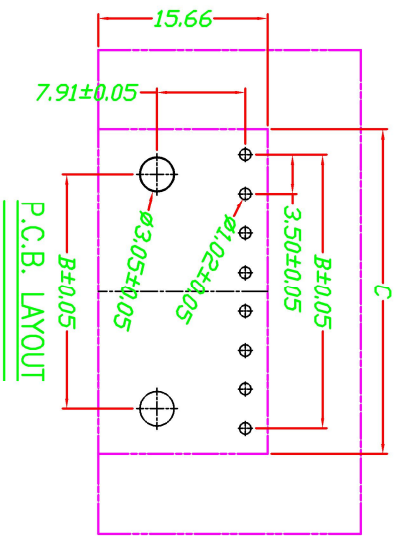
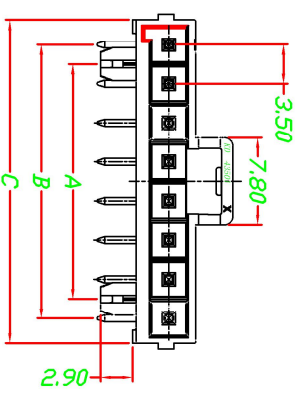
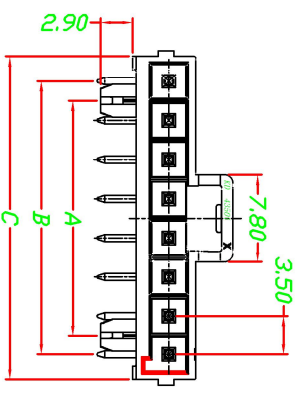
43501W90-NP*-B3-**



43501W91-NP*-B3-**



Specifications:
 Voltage Rating : 250V AC/DC
 Current Rating : 7A AC,DC
 Withstand Voltage : 1500V AC/minute
 Contact Resistance : 20mΩ(MAX.)
 Insulation Resistance : 1000V DC/1000MΩ(MIN.)
 Temperature Range : -40°C~+120°C



Part No	Dimensions		
	A	B	C
2P	—	3.50	8.00
3P	—	7.00	11.50
4P	7.00	10.50	15.00
5P	10.50	14.00	18.50
6P	14.00	17.50	22.00
7P	17.50	21.00	25.50
8P	21.00	24.50	29.00

Material	Color	PIN Material
LCP,U194V-0	Black	Brass

GENERAL TOLERANCES		SCALE: 1:1		NAME	DATE	TITLE: 3.50mm pitch Single Wafer	
LINEAR	ANGLES	APPROVED	DESIGNER			康导新能源	
0.0±0.35	X° REF±6°					地址: www.dgconna.com 电话: 0789-8831888	
0.00±0.25	X° ±3°	UNIT: MM	DRAWN	肖坤权	2018.7.28	电话: 2850178888@qq.com 传真: 0789-8832827	
0.000±0.15	X° X'±2°	SIZE: A4				PART. NO: 43501W9*-NP*-B3-**	
REV. 1	REVISION RECORD	DATE	SIZE			DWG. NO:	END/E05
1			A4			REV: A0	SHEET: 1/1