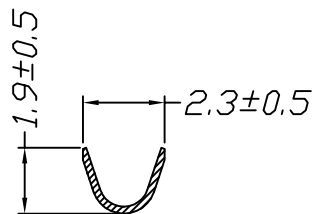
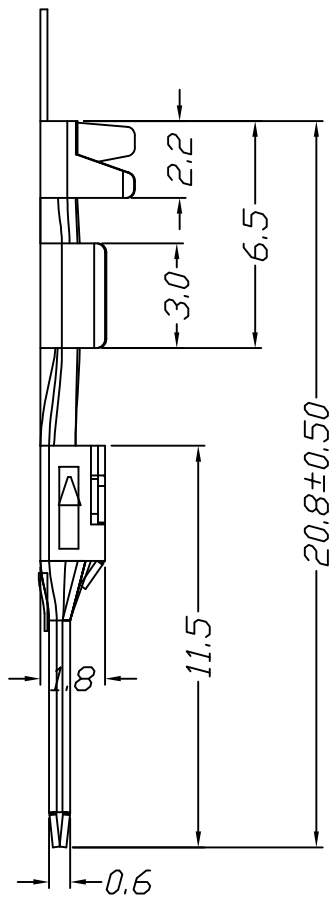
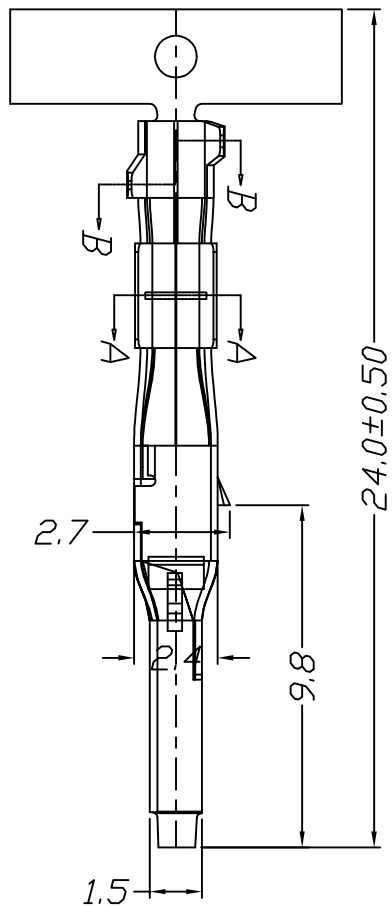


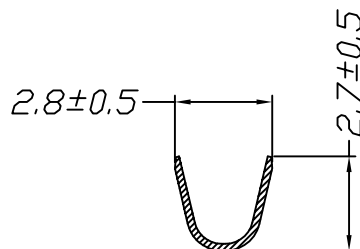
环保物料

Specifications:

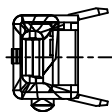
Voltage Rating : 250V AC/DC  
 Current Rating : 9.5A AC,DC  
 Withstand Voltage : 1500V AC/minute  
 Contact Resistance : 10mΩ(MAX.)  
 Insulation Resistance : 1000V DC/1000MΩ(MIN.)  
 Temperature Range : -40°C~+85°C



SECTION A-A



SECTION B-B



Part No	Wire Range	Insulation O. D.	Material	Finish
33201T OP-**	AWG#20 -#24	1.0mm max	Brass	Au or Sn

REV.	REVISION RECORD	DATE	UNIT: MM	GENERAL TOLERANCES		SCALE: 1:1	NAME	DATE	康导新能源 网址: www.dgonne.com 电话: 0769-85337633 邮箱: 2850175986@qq.com 传真: 0769-85392827	PART. NO: 33201TOP-**	
				LINEAR	ANGLES					DWG. NO: ENDE05	REV: AO
AO	新图面发行	2018. 7. 28	MM	0.00±0.25	X° ±3°					TITLE: 3.20mm pitch Crimp Terminal	
			SIZE: A4	0.000±0.15	X° X'±2°		肖坤权	2018. 7. 28			