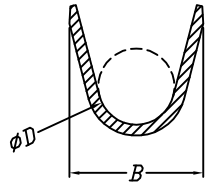
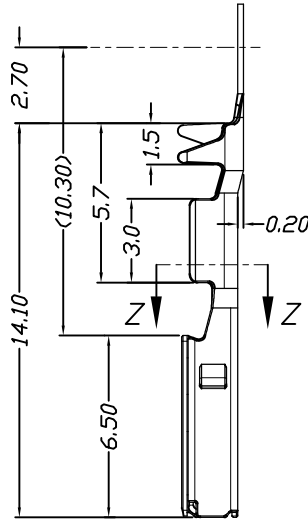
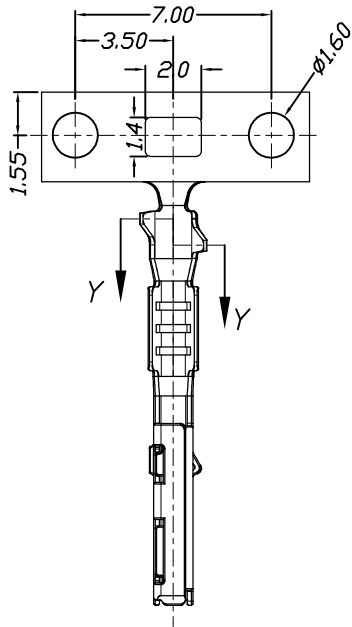


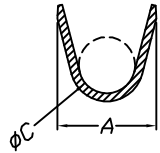
环保物料

Specifications:

Voltage Rating : 250V AC/DC
 Current Rating : 3A AC,DC
 Withstand Voltage : 1500V AC/minute
 Contact Resistance : 40mΩ(MAX.)
 Insulation Resistance : 1000V DC/1000MΩ(MIN.)
 Temperature Range : -40°C~+105°C




SECTION Y-Y
SCALE 10:1
INSULATION GRIP



SECTION Z-Z
SCALE 10:1
INSULATION GRIP

| Part No | Wire Range | WIRE SIZES | A ±0.2 | B ±0.3 | C ±0.1 | D ±0.2 | Material | Finish |
|----------------|------------|--------------------------|-----------|-----------|-----------|-----------|-----------------|--------|
| 42541T00-**-** | AWG#22 | 0.22-0.35mm ² | 1.80 | 2.40 | 0.90 | 1.36 | Phosphor Bronze | Sn&Au |
| 42541T01-**-** | AWG#20 | 0.50-0.85mm ² | 2.15 | 2.50 | 1.20 | 1.72 | Phosphor Bronze | |

| | | | | | | | | | | |
|------|-----------------|-----------|----------|--------------------|-----------|------------|------|-----------|--|------------------------------------|
| | | | | GENERAL TOLERANCES | | SCALE: 1:1 | NAME | DATE |  康导新能源 网址: www.dgconne.com 电话: 0769-85337633 邮箱: 2850175988@qq.com 传真: 0769-85392827 | PART. NO: 42541T0*-**-** |
| | | | | LINEAR | ANGLES | APPROVED | | | | DWG. NO: ENDE05 |
| AO | 新图面发行 | 2018.7.28 | UNIT: MM | 0.00±0.25 | X° REF±6° | DESIGNER | | | TITLE: 2.54mm pitch Crimp Terminal | REV: AO SHEET: 1/1 |
| REV. | REVISION RECORD | DATE | SIZE: A4 | 0.000±0.15 | X° X'±2° | DRAWN | 肖坤权 | 2018.7.28 | | |