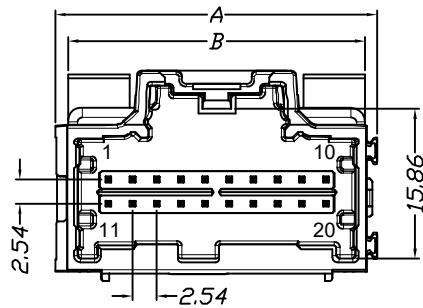


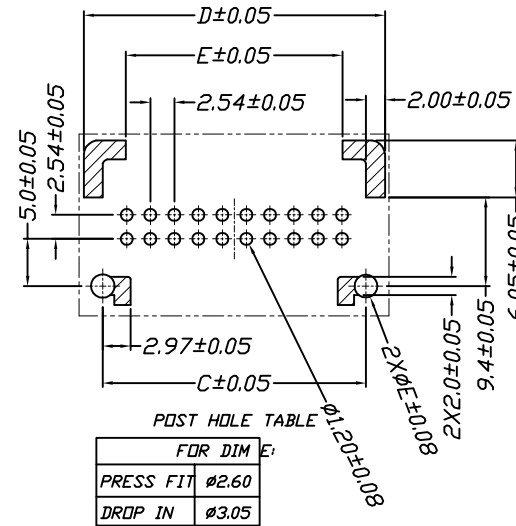
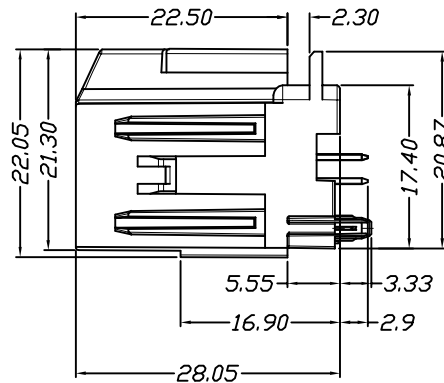
环保物料

Specifications:

Voltage Rating : 250V AC/DC
 Current Rating : 3A AC,DC
 Withstand Voltage : 1500V AC/minute
 Contact Resistance : 40mΩ(MAX.)
 Insulation Resistance : 1000V DC/1000MΩ(MIN.)
 Temperature Range : -40°C~+105°C



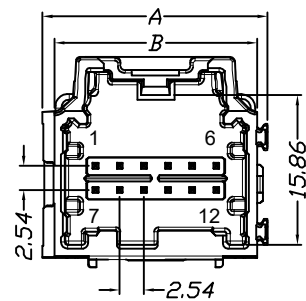
LAYOUT FOR 16&20 CKT. HEADERS
 (20 CKT. OPTION "A" SHOWN)



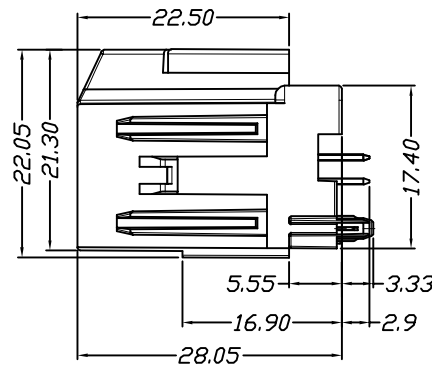
POST HOLE TABLE
 FOR DIM E:

PRESS FIT	∅2.60
DROP IN	∅3.05

P.C.B. LAYOUT



LAYOUT FOR 8&12 CKT. HEADERS
 (12 CKT. OPTION "A" SHOWN)



Part No.	Dimensions				
	A	B	C	D	E
2*4P	18.80	16.53	12.70	16.73	7.76
2*6P	23.88	21.41	17.78	21.81	12.84
2*8P	28.96	26.49	22.86	26.89	17.92
2*10P	34.04	31.57	27.94	31.97	23.00
Material		Color	PIN Material		
NYLON&PBT,UL94V-0		Black	Brass		



GENERAL TOLERANCES

LINEAR ANGLES

0.0±0.35 X° REF±6°

0.00±0.25 X° ±3°

0.000±0.15 X° X'±2°

SCALE:

1:1

NAME

DATE

APPROVED

DESIGNER

DRAWN



康导新能源

网址: www.dgconne.com 电话: 0769-85337633
 邮箱: 2850175988@qq.com 传真: 0769-85392827

TITLE:

2.54mm pitch Dual Wafer

PART NO:

42541W00-2XNP*-A1-**

DWG NO:

ENDE05

REV: AO

SHEET: 1/1

AO 新图面发行

2018.7.28

UNIT: MM

REVISION RECORD

DATE

SIZE: A4

0.000±0.15 X° X'±2°

肖坤权

2018.7.28

1

2

3

4

5

6

7

8