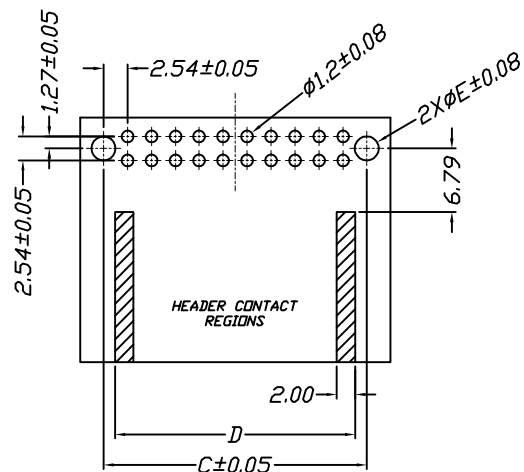
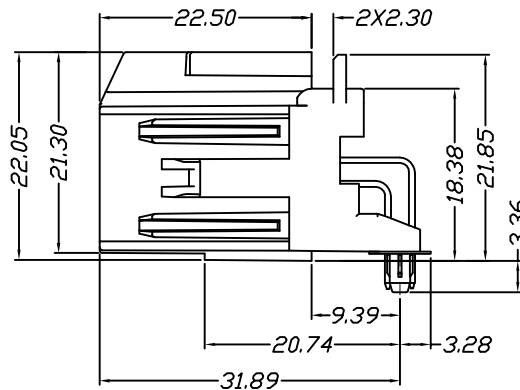
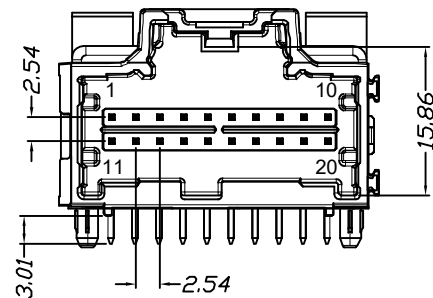


环保物料

Specifications:

Voltage Rating : 250V AC/DC
 Current Rating : 3A AC,DC
 Withstand Voltage : 1500V AC/minute
 Contact Resistance : 40mΩ(MAX.)
 Insulation Resistance : 1000V DC/1000MΩ(MIN.)
 Temperature Range : -40°C~+105°C



POST HOLE TABLE

FDR DIM E:	
PRESS FIT	Ø2.60
DROP IN	Ø3.05

P.C.B. LAYOUT

Part No.	Dimensions			
	A	B	C	D
2*4P	18.80	16.53	12.70	10.30
2*6P	23.88	21.41	17.78	15.38
2*8P	28.96	26.49	22.86	20.46
2*10P	34.04	31.57	27.94	25.54

Material	Color	PIN Material
NYLON&PBT,UL94V-0	Black	Brass

				GENERAL TOLERANCES		SCALE:	NAME	DATE
				LINEAR	ANGLES	1:1		
				0.0±0.35	X° REF±6°	APPROVED		
AO	新图面发行	2018.7.28	UNIT: MM	0.00±0.25	X° ±3°	DESIGNER		
REV.	REVISION RECORD	DATE	SIZE: A4	0.000±0.15	X° X'±2°	DRAWN	肖坤权	2018.7.28

康导新能源
 网址: www.dgonne.com 电话: 0769-85337633
 邮箱: 2850175988@qq.com 传真: 0769-85392827

PART NO:	42541W90-2XNP*-A1-**	
DWG. NO:	ENDE05	
REV:	AO	SHEET: 1/1

TITLE:
 2.54mm pitch Dual Wafer