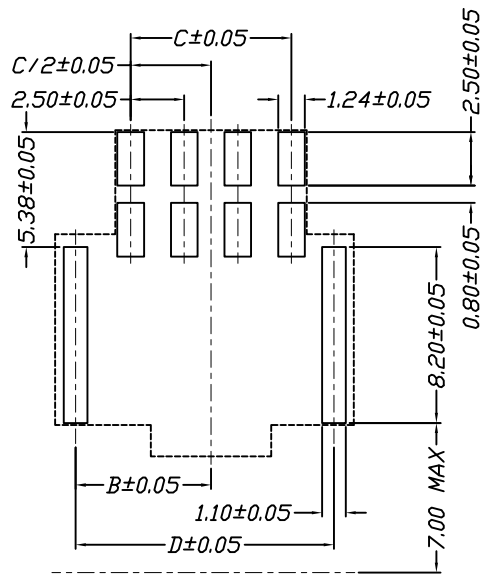
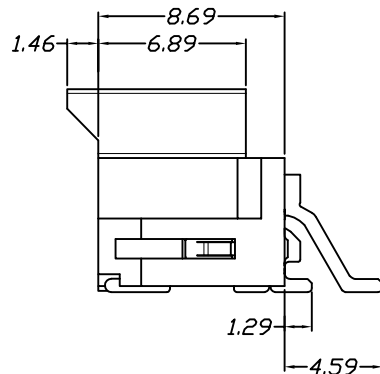
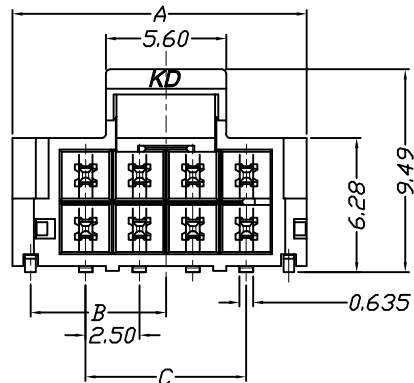


环保物料



P.C.B. LAYOUT

Specifications:

Voltage Rating : 250V AC/DC
 Current Rating : 3A AC,DC
 Withstand Voltage : 1500V AC/minute
 Contact Resistance : 40mΩ(MAX.)
 Insulation Resistance : 1000V DC/1000MΩ(MIN.)
 Temperature Range : -40°C~+105°C

Part No.	Dimensions			
	A	B	C	D
4P	8.74	3.82	2.50	7.04
6P	11.24	5.07	5.00	9.54
8P	13.74	6.32	7.50	12.04
10P	16.24	7.57	10.00	14.54
12P	18.74	8.82	12.50	17.04
14P	21.24	10.07	15.00	19.54
16P	23.74	11.32	17.50	22.04
Material		Color	PIN Material	
NYLON&PBT,UL94V-0		Black	Brass	

REV.	REVISION RECORD	DATE	UNIT: MM	GENERAL TOLERANCES		SCALE: 1:1	NAME	DATE
				LINEAR	ANGLES			
AO	新图面发行	2018. 7. 28	MM	0.00±0.25	X° ±3°	APPROVED		
REV.	REVISION RECORD	DATE	SIZE: A4	0.000±0.15	X° X'±2°	DESIGNER	肖坤权	2018. 7. 28



TITLE:
 2.50mm pitch Dual Wafer

PART NO: 42508W90-2XNP*-A2-**
DWG. NO: ENDE05
REV: AO SHEET: 1/1