

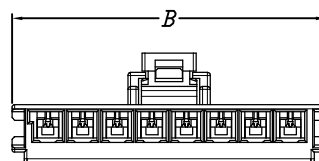
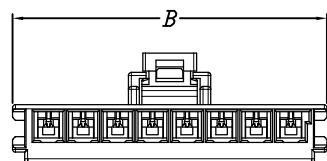
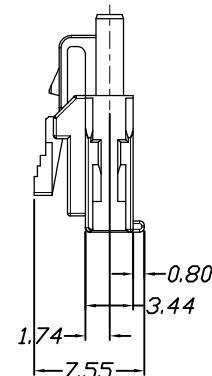
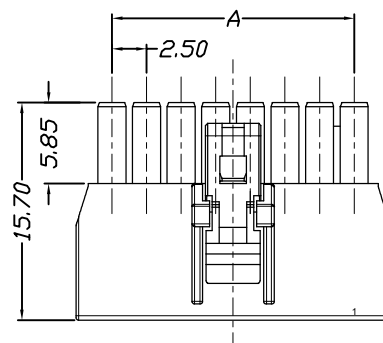
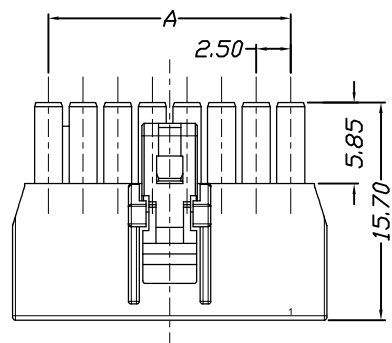
环保物料

Specifications:

Voltage Rating : 250V AC/DC
 Current Rating : 3A AC,DC
 Withstand Voltage : 1500V AC/minute
 Contact Resistance : 40mΩ(MAX.)
 Insulation Resistance : 1000MΩ(MIN.)/1000V DC
 Temperature Range : -40°C~+105°C


42508H00-NP*-L-PT

42508H00-NP*-R-PT



Part No.	Dimensions	
	A	B
2P	2.50	7.70
3P	5.00	10.20
4P	7.50	12.70
5P	10.00	15.20
6P	12.50	17.70
7P	15.00	20.20
8P	17.50	22.70

Material	Color
PBT,UL94V-0	Black

		GENERAL TOLERANCES		SCALE:	NAME	DATE	 康导新能源 网址: www.dgonne.com 电话: 0769-85337633 邮箱: 2850175986@qq.com 传真: 0769-85392627	PART. NO:		
		LINEAR	ANGLES	1:1				42508H00-NP*-*-PT		
		0.0±0.35	X° REF±6°	APPROVED				DWG. NO:		
A0	新图面发行	2018.7.28	UNIT: MM	DESIGNER				ENDE05		
REV.	REVISION RECORD	DATE	SIZE: A4	DRAWN	肖坤权	2018.7.28	TITLE:		REV: A0	SHEET: 1/1
			0.00±0.25				2.50mm pitch Single Housing			
			0.000±0.15							