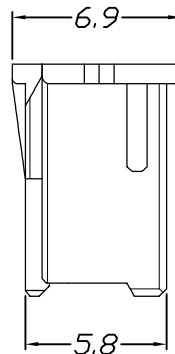
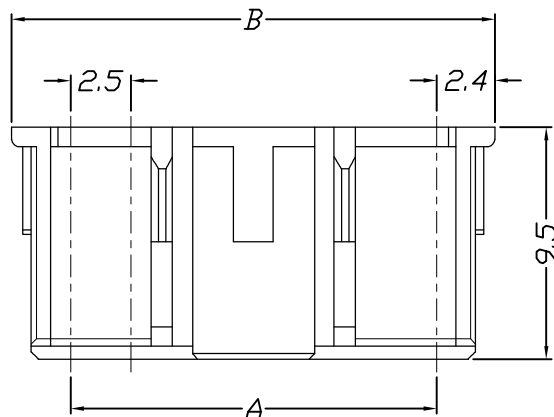


环保物料



Specifications:

Voltage Rating : 250V AC/DC
 Current Rating : 3A AC,DC
 Withstand Voltage : 1000V AC/minute
 Contact Resistance : 20mΩ(MAX.)
 Insulation Resistance : 1000V DC/1000MΩ(MIN.)
 Temperature Range : -25°C~+85°C

Part No.	Dimensions		Part No.	Dimensions	
	A	B		A	B
2P	2.50	7.30	9P	20.00	24.80
3P	5.00	9.80	10P	22.50	27.30
4P	7.50	12.30	11P	25.00	29.80
5P	10.00	14.80	12P	27.50	32.30
6P	12.50	17.30	13P	30.00	34.80
7P	15.00	19.80	14P	32.50	37.30
8P	17.50	22.30	15P	35.00	39.80
Material				Color	
NYLON 66,UL94V-0				Black	

GENERAL TOLERANCES		SCALE: 1:1	NAME	DATE	康导新能源	PART. NO: 42507H00-NP-66		
LINEAR	ANGLES						APPROVED	DESIGNER
AO	新图面发行	2018. 7. 28	UNIT: MM	0.00±0.25	X° ±3°	REV:	AO	SHEET: 1/1
REV.	REVISION RECORD	DATE	SIZE: A4	0.000±0.15	X° X'±2°			



康导新能源
 网址: www.dgconne.com 电话: 0769-85337633
 邮箱: 2850175986@qq.com 传真: 0769-85392827