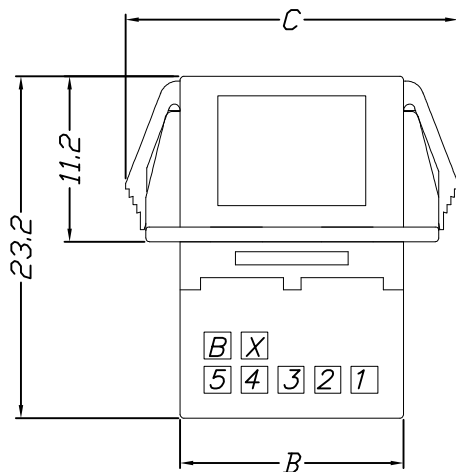
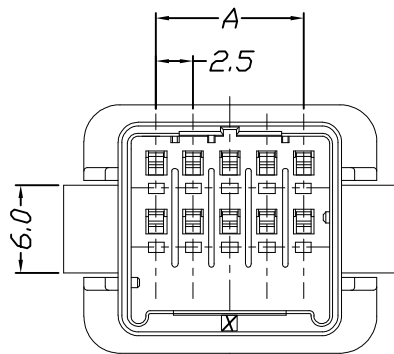
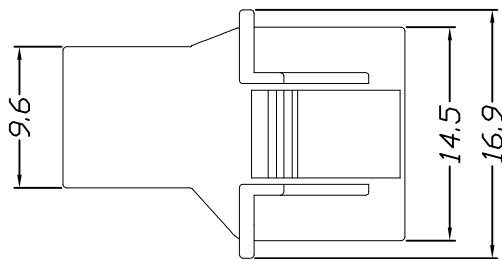


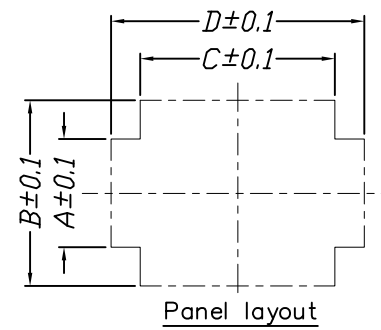
环保物料



Part No.	Dimensions		
	A	B	C
2*3P	5.00	10.20	17.60
2*4P	7.50	12.70	20.10
2*5P	10.00	15.20	22.60
2*6P	12.50	17.70	25.10
2*8P	17.50	22.70	30.10
2*10P	22.50	27.70	35.10

Specifications:

Voltage Rating : 250V AC/DC
 Current Rating : 4.6A AC,DC
 Withstand Voltage : 1500V AC/minute
 Contact Resistance : 20mΩ(MAX.)
 Insulation Resistance : 1000V DC/1000MΩ(MIN.)
 Temperature Range : -55°C~+105°C



Part No.	Dimensions			
	A	B	C	D
2*3P	8.60	14.80	10.50	15.20
2*4P	8.60	14.80	13.00	17.70
2*5P	8.60	14.80	15.50	20.20
2*6P	8.60	14.80	18.00	22.70
2*8P	8.60	14.80	23.00	27.70
2*10P	8.60	14.80	28.00	32.70

Material	Color
PBT,UL94V-0	Black

REV.	REVISION RECORD	DATE	UNIT: MM	GENERAL TOLERANCES		SCALE: 1:1	NAME	DATE
				LINEAR	ANGLES			
AO	新图面发行	2018. 7. 28	MM	0.00±0.25	X° ±3°	APPROVED		
			SIZE: A4	0.000±0.15	X° X'±2°	DESIGNER	肖坤权	2018. 7. 28

康导新能源
 网址: www.dgoonne.com 电话: 0769-85337633
 邮箱: 2850175986@qq.com 传真: 0769-85392827

TITLE: **2.50mm pitch Dual Housing**

PART. NO:	32503H00-2XNP*-PT	
DWG. NO:	ENDE05	
REV:	AO	SHEET: 1/1