

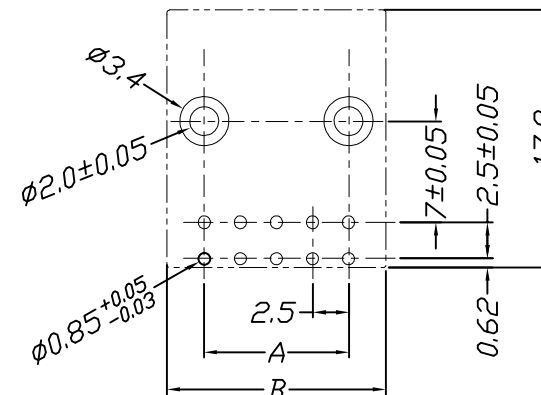
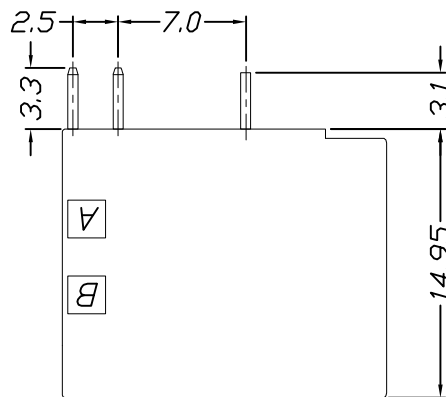
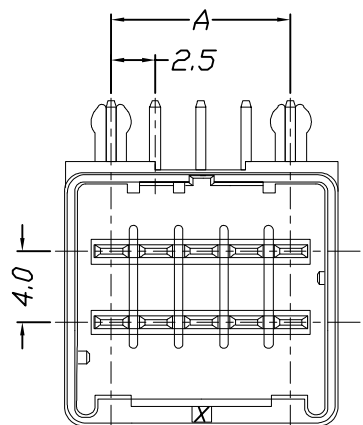
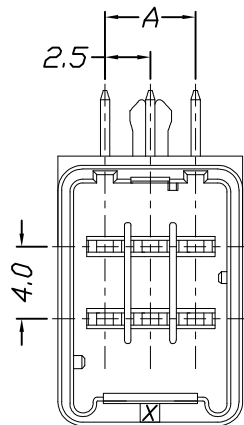
环保物料

6 circuits

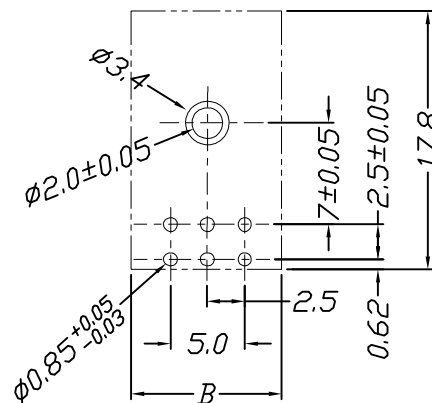
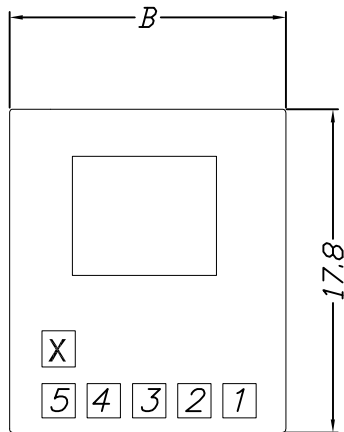
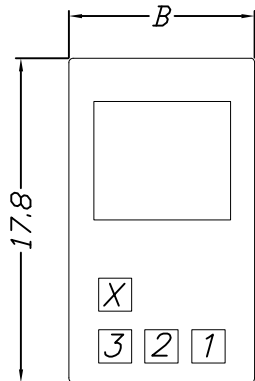
8-20 circuits

Specifications:

Voltage Rating : 250V AC/DC  
 Current Rating : 4.6A AC,DC  
 Withstand Voltage : 1500V AC/minute  
 Contact Resistance : 20mΩ(MAX.)  
 Insulation Resistance : 1000V DC/1000MΩ(MIN.)  
 Temperature Range : -55°C~+105°C



P.C.B. LAYOUT



P.C.B. LAYOUT

Part No.	Dimensions	
	A	B
2*3P	5.00	10.20
2*4P	7.50	12.70
2*5P	10.00	15.20
2*6P	12.50	17.70
2*8P	17.50	22.70
2*10P	22.50	27.70

Material	Color	PIN Material	Stator Material
NYLON&PBT,UL94V-0	Black	Brass	Brass

GENERAL TOLERANCES		SCALE: 1:1	NAME	DATE	
LINEAR	ANGLES	APPROVED			
0.0±0.35	X° REF±6°	DESIGNER			
0.00±0.25	X° ±3°	DRAWN	肖坤权	2018.7.28	
REV.	REVISION RECORD	DATE	SIZE: A4	0.000±0.15	X° X'±2°

**康导新能源**  
 网址: www.dgonne.com 电话: 0769-85337633  
 邮箱: 2850175986@qq.com 传真: 0769-85392827

TITLE: **2.50mm pitch Dual Wafer**

PART NO:	42503W90-2XNP*-A1-**	
DWG. NO:	ENDE05	
REV:	AO	SHEET: 1/1