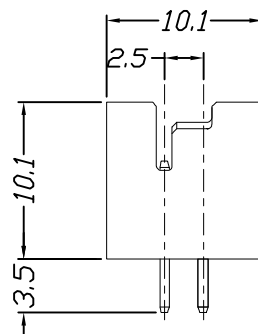
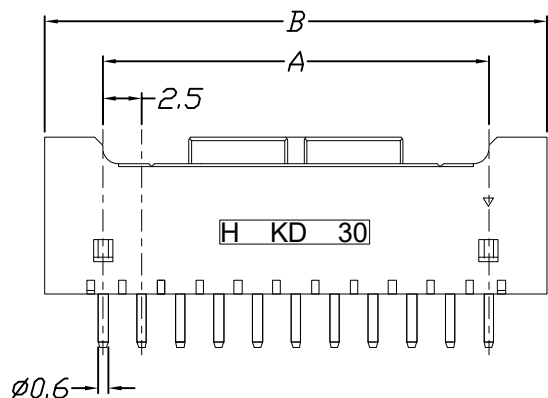
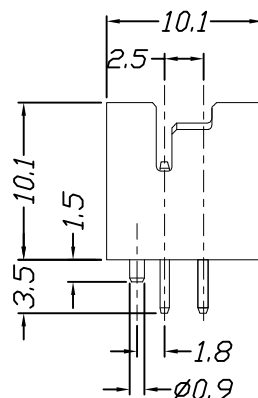
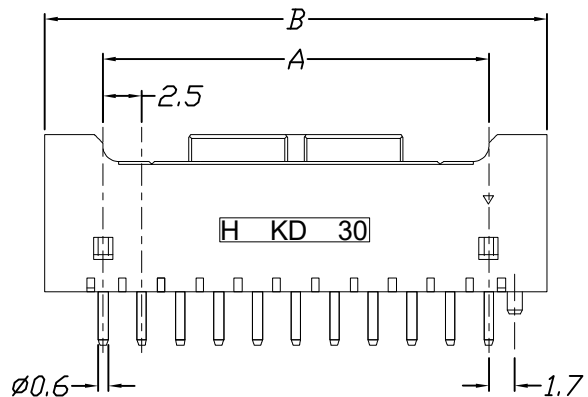
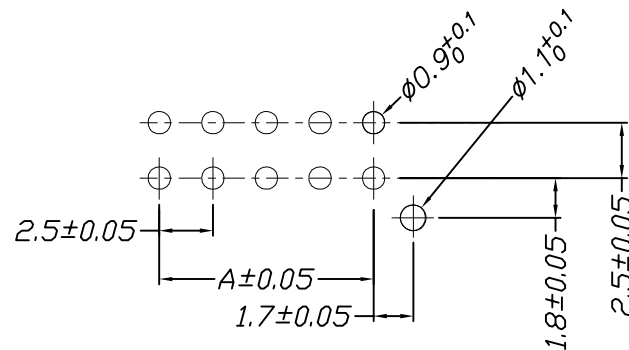


环保物料



Specifications:

Voltage Rating : 250V AC/DC
 Current Rating : 3A AC,DC
 Withstand Voltage : 1000V AC/minute
 Contact Resistance : 20mΩ(MAX.)
 Insulation Resistance : 1000V DC/1000MΩ(MIN.)
 Temperature Range : -25°C~+85°C



P.C.B. LAYOUT

Part No.	Dimensions	
	A	B
2*4P	7.50	15.00
2*5P	10.00	17.50
2*6P	12.50	20.00
2*7P	15.00	22.50
2*8P	17.50	25.00
2*9P	20.00	27.50
2*10P	22.50	30.00
2*11P	25.00	32.50
2*12P	27.50	35.00
2*13P	30.00	37.50
2*14P	32.50	40.00
2*15P	35.00	42.50
2*16P	37.50	45.00
2*17P	40.00	47.50
2*18P	42.50	50.00
2*20P	47.50	55.00

Material	Color	PIN Material
PBT&NYLON,UL94V-0	Black	Brass

GENERAL TOLERANCES		SCALE:	NAME	DATE
		1:1		
LINEAR	ANGLES	APPROVED		
0.0±0.35	X° REF±6°	DESIGNER		
AO	新图面发行	2018.7.28	UNIT: MM	0.00±0.25
REV.	REVISION RECORD	DATE	SIZE: A4	X° X'±2°
				DRAWN
				肖坤权
				2018.7.28



TITLE:
2.50mm pitch Dual Wafer

PART. NO:	
42502W00-2XNP*-A1-**	
DWG. NO:	
ENDE05	
REV:	A0
SHEET:	1/1