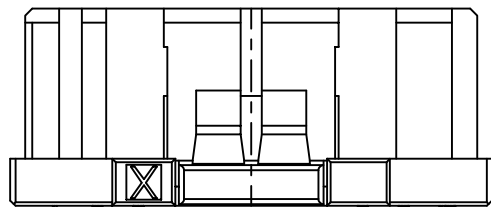
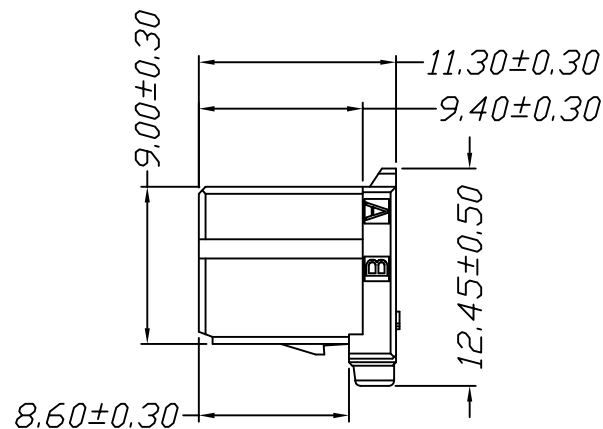
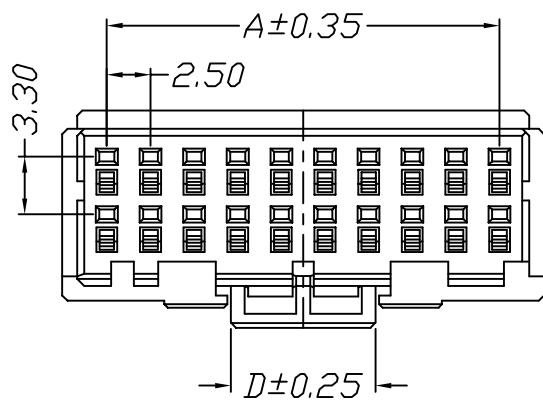
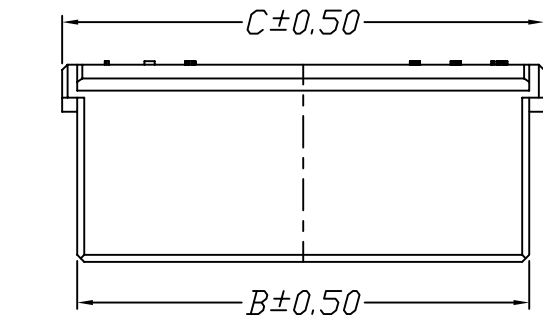


环保物料

Specifications:

Voltage Rating : 250V AC/DC  
 Current Rating : 5A AC,DC  
 Withstand Voltage : 1500V AC/minute  
 Contact Resistance : 40mΩ(MAX.)  
 Insulation Resistance : 1000V DC/1000MΩ(MIN.)  
 Temperature Range : -55°C~+105°C



Part No	Dimensions			
	A	B	C	D
2*2P	2.50	5.90	7.60	3.10
2*3P	5.00	8.40	10.10	3.30
2*4P	7.50	10.90	12.60	3.30
2*5P	10.00	13.40	15.10	3.30
2*6P	12.50	15.90	17.60	8.30
2*8P	17.50	20.90	22.60	8.30
2*10P	22.50	25.90	27.60	8.30
Material		Color		
PBT,UL94V-0		Black		

		GENERAL TOLERANCES		SCALE: 1:1	NAME	DATE	<p>康导新能源                  网址: www.dgoonne.com 电话: 0769-85337633                  邮箱: 2850175986@qq.com 传真: 0769-85392827</p>	PART NO: <b>42501H00-2*NPA-PT</b>				
		<table border="1"> <tr> <th>LINEAR</th> <th>ANGLES</th> </tr> <tr> <td>0.0±0.35</td> <td>X° REF±6°</td> </tr> </table>		LINEAR	ANGLES	0.0±0.35		X° REF±6°	APPROVED			DWG. NO: ENDE05
LINEAR	ANGLES											
0.0±0.35	X° REF±6°											
AO	新图面发行	2018.7.28	UNIT: MM	0.00±0.25	X° ±3°	DESIGNER		REV: AO	SHEET: 1/1			
REV.	REVISION RECORD	DATE	SIZE: A4	0.000±0.15	X° X'±2°	DRAWN	肖坤权	2018.7.28	TITLE: <b>2.50mm pitch Dual Housing</b>			