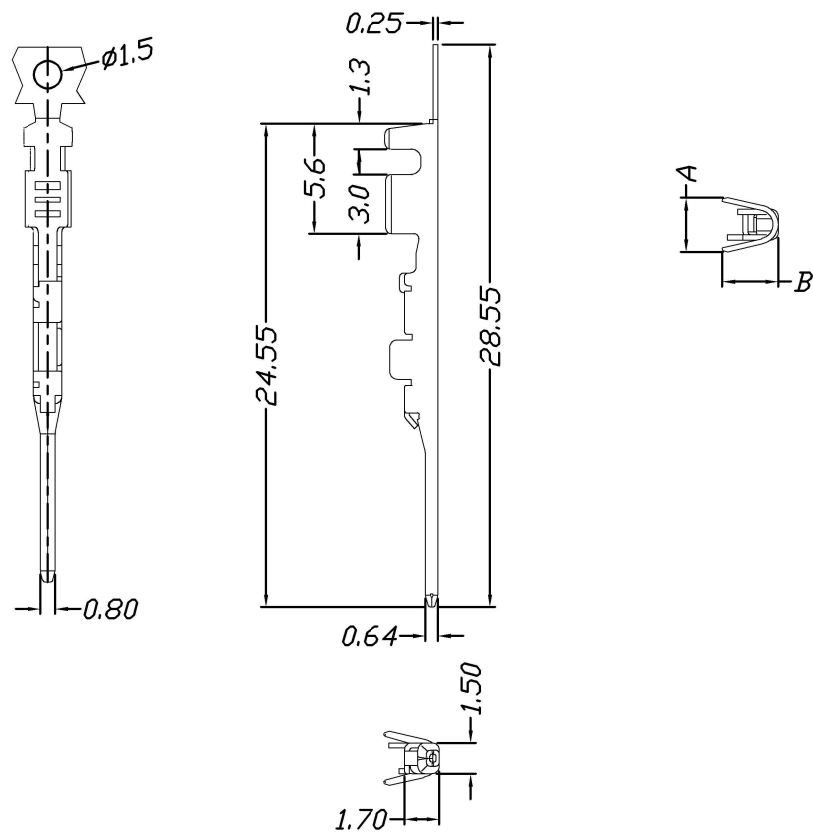


环保物料



Specifications:

Voltage Rating : 250V AC/DC

Current Rating : 3A AC,DC

Withstand Voltage : 1000V AC/minute

Contact Resistance : 30m $\Omega$ (MAX.)

Insulation Resistance : 100M $\Omega$ (MIN.)

Temperature Range : -40 $^{\circ}$ C~+85 $^{\circ}$ C

Dimensional Information:

Part No.	Dimensions	
	A	B
32202TOP-**-01	2.6	2.6
32202TOP-**-02	2.65	2.7
32202TOP-**-03	2.26	1.8

Ordering Information & Specifications

Part No	Wire Range	Insulation O. D.	Material	Finish
32202TO P-**-**	AWG#22 -#28	1.00mm (max)	Phosphor Bronze	Au or Sn

Unit: mm

GENERAL TOLERANCES		SCALE:	NAME	DATE	 <b>康导新能源</b> 网址: www.dgconne.com 电话: 0769-883877633 邮箱: 2880175888@qq.com 传真: 0769-883822827	PART. NO:				
LINEAR	ANGLES	1:1	黎腾	2017.06.16		32202TOP-**-**				
0.0 $\pm$ 0.25	X $^{\circ}$ REF $\pm$ 6 $^{\circ}$	APPROVED	肖坤权	2017.06.16		DWG. NO:				
0.00 $\pm$ 0.15	X $^{\circ}$ $\pm$ 3 $^{\circ}$	DESIGNER	旷淇	2017.06.16		ENDE05				
REV.	REVISION RECORD	DATE	SIZE: A4	0.000 $\pm$ 0.08	X $^{\circ}$ X' $\pm$ 2 $^{\circ}$	DRAWN	TITLE:	2.20mm pitch Crimp Terminal	REV: A0	SHEET: 1/1
1	2	3	4	5	6	7	8			