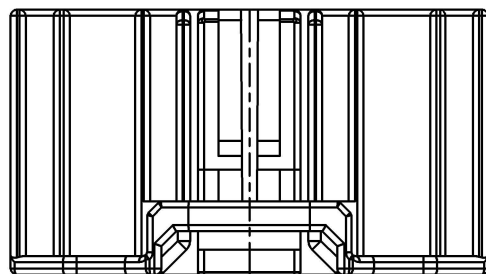
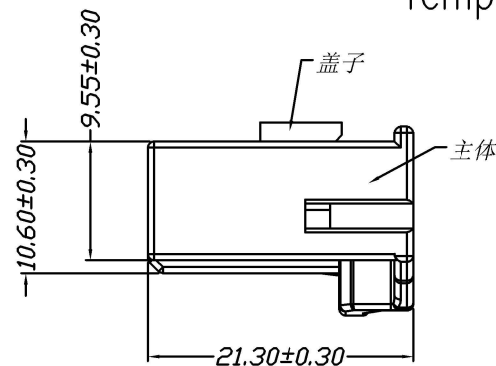
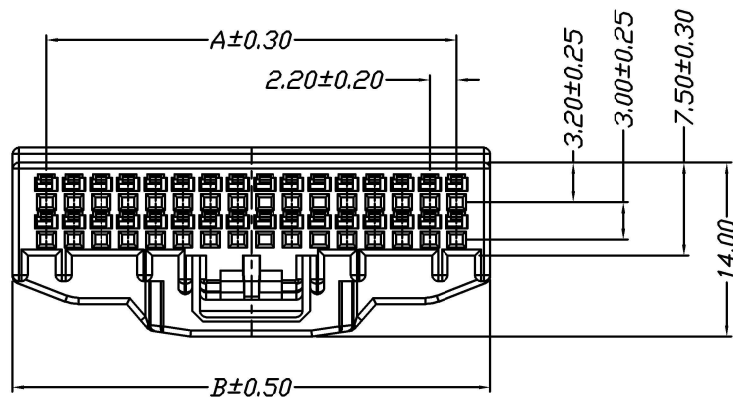



环保物料

Specifications:
 Voltage Rating : 250V AC/DC
 Current Rating : 3A AC,DC
 Withstand Voltage : 1000V AC/minute
 Contact Resistance : 30mΩ(MAX.)
 Insulation Resistance : 1000MΩ(MIN.)
 Temperature Range : -40°C~+105°C



Part No	Dimensions	
	A	B
2*6P	11.00	16.40
2*8P	15.40	20.80
2*10P	19.80	25.20
2*12P	24.20	29.60
2*14P	28.60	34.00
2*16P	33.00	38.40
2*18P	37.40	42.80
2*20P	41.80	47.20

Material	PBT,UL94V-0	Color	WHITE
----------	-------------	-------	-------

SCALE: 1:1		NAME		DATE		 康导新能源 网址: www.kangdao.com 电话: 0769-8537763 邮箱: 2650176966@qq.com 传真: 0769-8532282		PART. NO:	
APPROVED		黎腾		2017. 06. 16				42206H00-2*NP*-G2-66	
DESIGNER		肖坤权		2017. 06. 16				DWG. NO:	
DRAWN		旷淇		2017. 06. 16		TITLE:		ENDE05	
REV.		REVISION RECORD		DATE		SIZE: A4		REV: A0 SHEET: 1/1	