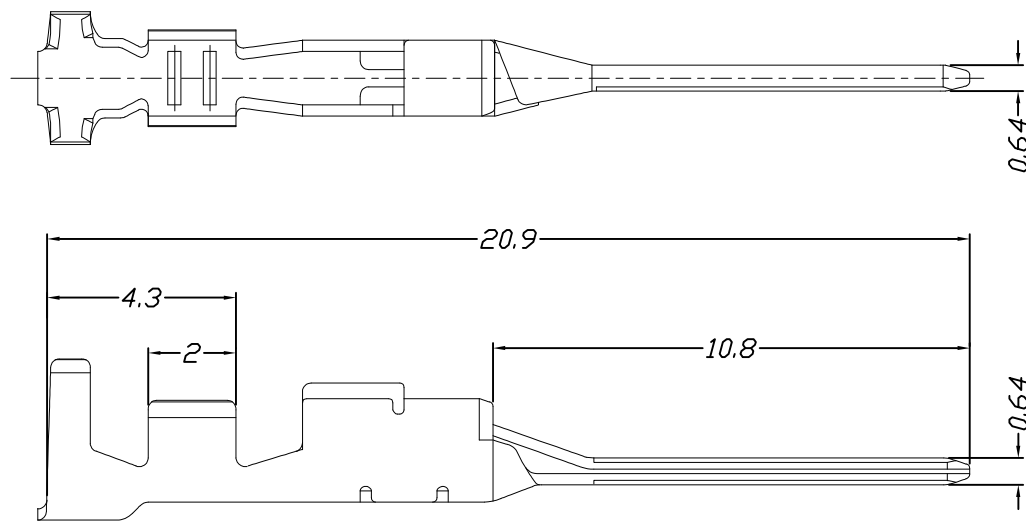


环保物料


Specifications:
 Voltage Rating : 125V AC/DC
 Current Rating : Refer to table
 Withstand Voltage : 800V AC/minute
 Contact Resistance : 20mΩ(MAX.)
 Insulation Resistance : 1000MΩ(MIN.)
 Temperature Range : -55°C~+105°C



Ordering Information & Specifications

Part No	Wire Range	Insulation O. D.	Material	Finish
32204T *P-**	AWG#28 -#24	0.85mm-1.43mm (0.85mm max)	Phosphor Bronze	Au or Sn
32204T *P-**	AWG#22 -#18	1.6mm-2.1mm (2.1mm max)	Phosphor Bronze	Au or Sn

Unit: mm

GENERAL TOLERANCES		SCALE:	NAME	DATE	 康导新能源 网址: www.dgconne.com 电话: 0769-853377633 邮箱: 2850175988@qq.com 传真: 0769-853922827	PART. NO:			
LINEAR	ANGLES	1:1	APPROVED	黎腾		2017.06.16	32204T*P-**		
0.0±0.25	X° REF±6°		DESIGNER	肖坤权		2017.06.16	DWG. NO:		
0.00±0.15	X° ±3°		DRAWN	旷淇		2017.06.16	ENDE05		
REV.	REVISION RECORD	DATE	UNIT: MM	SIZE: A4	0.000±0.08	X° X'±2°	TITLE: 2. 20mm pitch Crimp Terminal	REV: AO	SHEET: 1/1