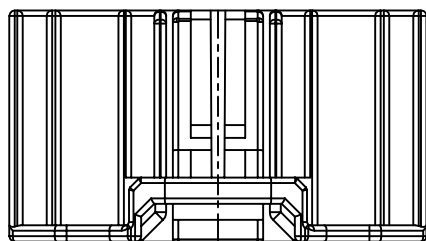
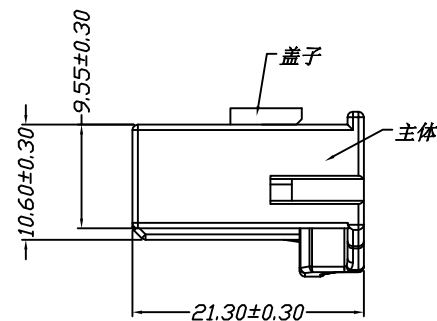
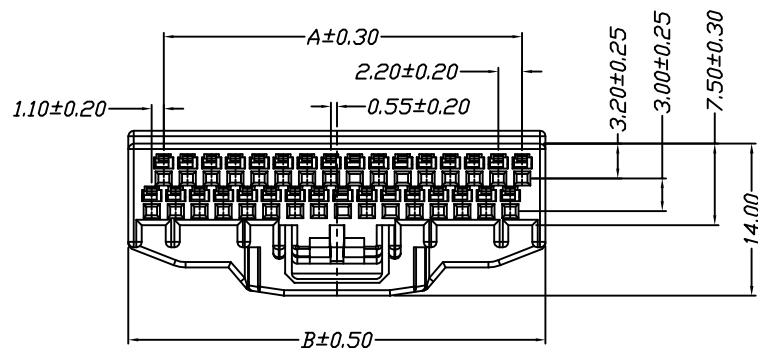


环保物料

Specifications:  
 Voltage Rating : 250V AC/DC  
 Current Rating : 3A AC,DC  
 Withstand Voltage : 650V AC/minute  
 Contact Resistance : 30mΩ(MAX.)  
 Insulation Resistance : 100MΩ(MIN.)  
 Temperature Range : -40°C~+85°C



Part No	Dimensions	
	A	B
2*6P	11.00	16.40
2*8P	15.40	20.80
2*10P	19.80	25.20
2*12P	24.20	29.60
2*14P	28.60	34.00
2*16P	33.00	38.40
2*18P	37.40	42.80
2*20P	41.80	47.20

Material	Color
PA66,UL94V-0	Gray

REV.	REVISION RECORD	DATE	UNIT: MM	GENERAL TOLERANCES		SCALE: 1:1	NAME	DATE
				LINEAR	ANGLES			
AO	新图面发行	2017. 06. 16	MM	0.00±0.15	X° ±3°	APPROVED	黎腾	2017. 06. 16
REV.	REVISION RECORD	DATE	SIZE: A4	0.000±0.08	X° X'±2°	DESIGNER	肖坤权	2017. 06. 16
						DRAWN	旷淇	2017. 06. 16



## 康导新能源

网址: www.dgconne.com 电话: 0769-853377633  
 邮箱: 2850175968@qq.com 传真: 0769-853922627

PART. NO:  
**42202H00-2\*NP\*-G2-66**

DWG. NO:  
ENDE05

REV: AO SHEET: 1/1

TITLE:  
2. 20mm pitch Dual Housing