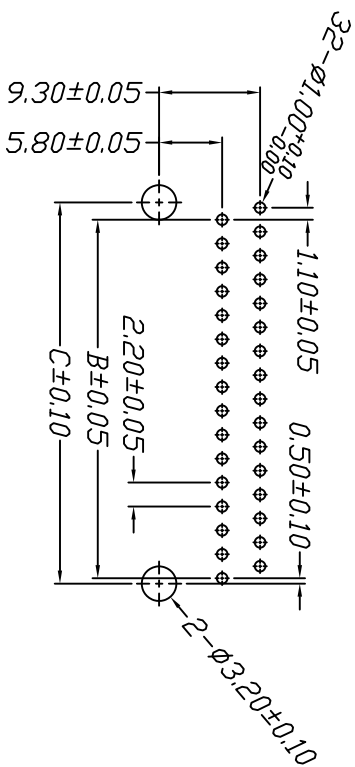
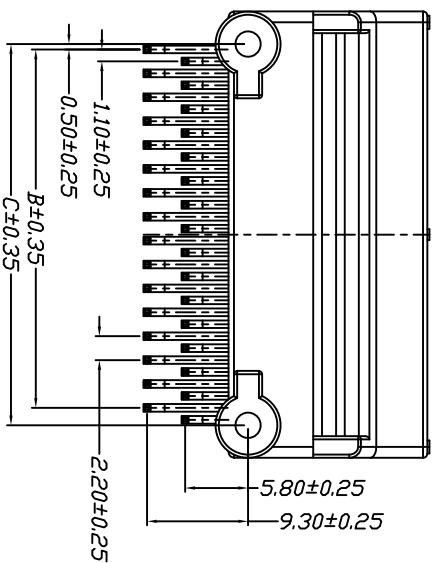
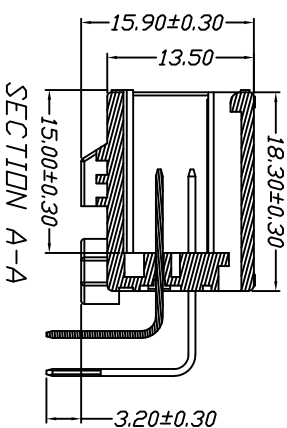
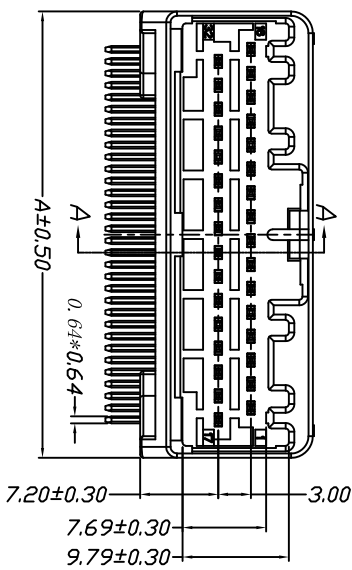


环保物料



Recommended PCB pattern

Specifications:
 Voltage Rating : 250V AC/DC
 Current Rating : 3A AC,DC
 Withstand Voltage : 650V AC/minute
 Contact Resistance : 30mΩ(MAX.)
 Insulation Resistance : 100MΩ(MIN.)
 Temperature Range : -40°C~+85°C

Part No	Dimensions		
	A	B	C
2*6P	19.10	11.00	13.10
2*8P	23.50	15.40	17.50
2*10P	27.90	19.80	21.90
2*12P	32.30	24.20	26.30
2*14P	36.70	28.60	30.70
2*16P	41.10	33.00	35.10
2*18P	45.50	37.40	39.50
2*20P	49.90	41.80	43.90

Material	PBT,UL94V-0	Color	Gray	PIN Material	Brass
----------	-------------	-------	------	--------------	-------

康源新能源
 地址: www.kgyon.com 电话: 0769-85337763
 邮箱: 2850173938@qq.com 传真: 0769-85382282

TITLE: 2.20mm pitch Dual Wafer
 PART. NO: 42202W90-2*NP*-A1-**-**
 DWG. NO: ENDE05
 REV: A0 SHEET: 1/1

SCALE: 1:1	NAME: 黎腾	DATE: 2017.06.16
GENERAL TOLERANCES	DESIGNER: 肖坤权	DATE: 2017.06.16
LINEAR: 0.0±0.25	DRAWN: 旷琪	DATE: 2017.06.16
ANGLES: X° REF±6°		
X° ±3°		
X° X'±2°		

REV.	REVISION RECORD	DATE	SIZE: A4	UNIT: MM
1	新图面发行	2017.06.16	A4	MM
2				