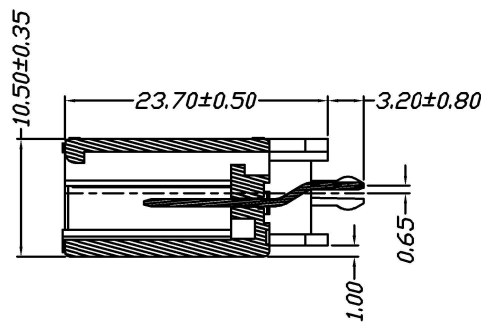
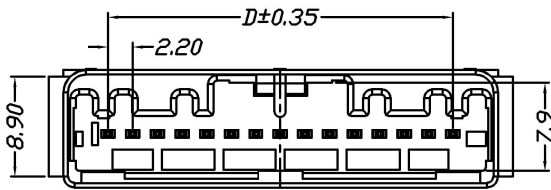
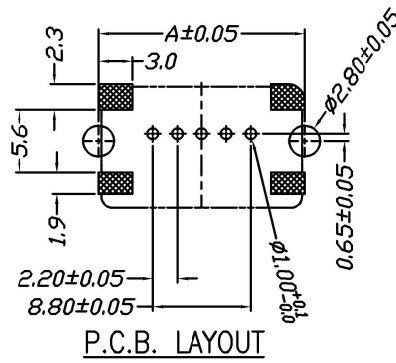
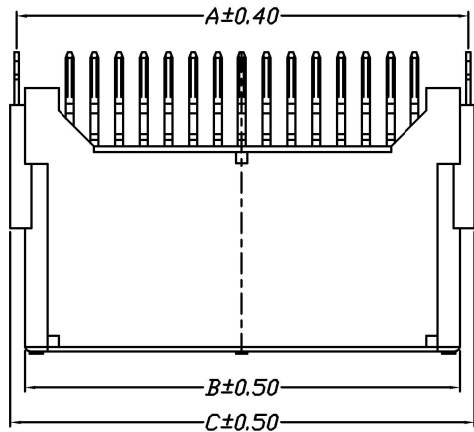


环保物料



Specifications:

Voltage Rating : 250V AC/DC

Current Rating : 3A AC,DC

Withstand Voltage : 650V AC/minute

Contact Resistance : 30mΩ(MAX.)

Insulation Resistance : 100MΩ(MIN.)

Temperature Range : $-40^{\circ}\text{C} \sim +85^{\circ}\text{C}$

Dimensional Information:

Part No	Dimensions			
	A	B	C	D
3P	14.00	13.40	16.00	4.40
5P	18.40	17.80	20.40	8.80
7P	22.80	22.20	24.80	13.20
9P	27.20	26.60	29.20	17.60
11P	31.60	31.00	33.60	22.00
13P	36.00	35.40	38.00	26.40
15P	40.40	39.80	42.40	30.80

Material	Color	PIN Material
PBT,UL94V-0	Gray	Brass/Gold&Ni-plated

GENERAL TOLERANCES		SCALE:	NAME	DATE	康导新能源 网址: www.dgoonne.com 电话: 0769-853377633 邮箱: 2850175988@qq.com 传真: 0769-853922627	PART. NO: 42202W00-NP*-A1-***
LINEAR	ANGLES	1:1	黎腾	2017.06.16		
0.0 ± 0.25	X° REF ± 6°	APPROVED	肖坤权	2017.06.16		
0.00 ± 0.15	X° ± 3°	DESIGNER	旷洪	2017.06.16		
AO	新图面发行	2017.06.16	UNIT: MM	0.00 ± 0.15	X° ± 3°	TITLE: 2.20mm pitch Single Wafer
REV.	REVISION RECORD	DATE	SIZE: A4	0.000 ± 0.08	X° X' ± 2°	DWG. NO: ENDE05
						REV: AO SHEET: 1/1