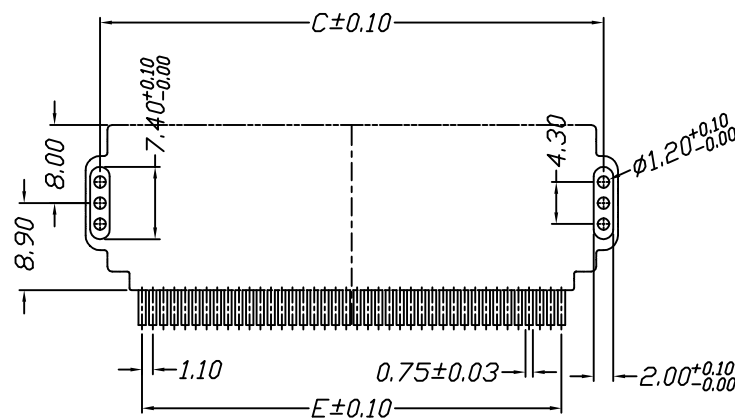
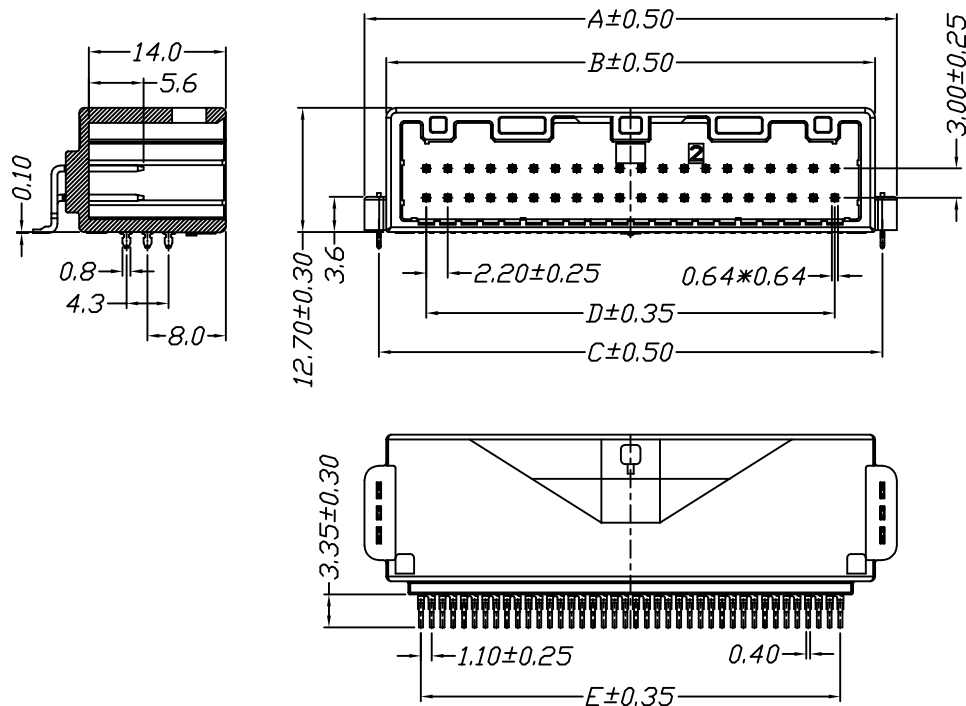


环保物料

Specifications:
 Voltage Rating : 250V AC/DC
 Current Rating : 3A AC,DC
 Withstand Voltage : 650V AC/minute
 Contact Resistance : 30mΩ(MAX.)
 Insulation Resistance : 100MΩ(MIN.)
 Temperature Range : -40°C~+85°C



P.C.B. LAYOUT

Dimensional Information:

Part No	Dimensions				
	A	B	C	D	E
2*4P	19.25	14.80	16.30	6.60	7.70
2*6P	23.65	19.20	20.70	11.00	12.10
2*8P	28.05	23.60	25.10	15.40	16.50
2*10P	32.45	28.00	29.50	19.80	20.90
2*12P	36.85	32.40	33.90	24.20	25.30
2*14P	41.25	36.80	38.30	28.60	29.70
2*16P	45.65	41.20	42.70	33.00	34.10
2*20P	54.45	50.00	51.50	41.80	42.90

Material	Color	PIN Material
PBT,UL94V-0	Gray	Brass

REV.	REVISION RECORD	DATE	UNIT: MM	GENERAL TOLERANCES		SCALE: 1:1	NAME	DATE
				LINEAR	ANGLES			
A0	新图面发行	2017.06.16	MM	0.00±0.15	X° ±3°	APPROVED	黎腾	2017.06.16
				0.00±0.25	X° REF±6°	DESIGNER	肖坤权	2017.06.16
				0.000±0.08	X° X'±2°	DRAWN	旷淇	2017.06.16



TITLE:
2.20mm pitch Dual Wafer

PART NO:	42201W90-2*NP*-A2-**	
DWG NO:	ENDE05	
REV:	A0	SHEET: 1/1