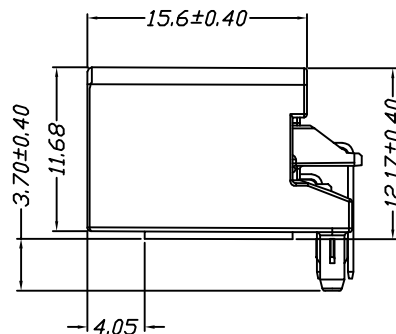
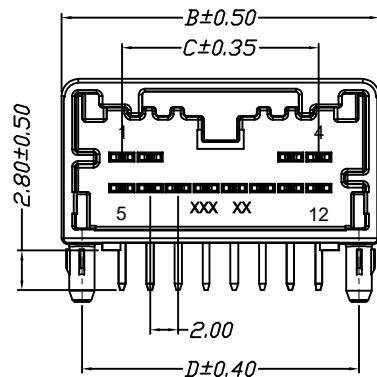
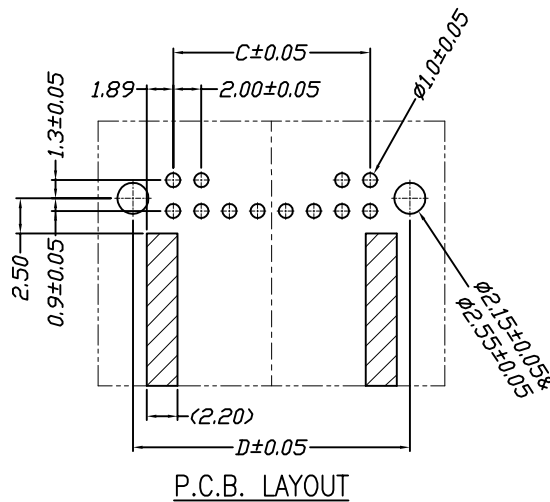
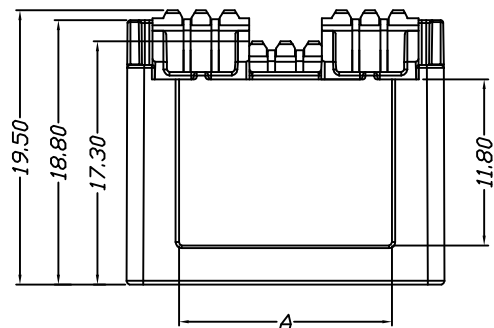


环保物料



Specifications:

Voltage Rating : 125V AC/DC

Current Rating : 3A AC,DC

Withstand Voltage : 600V AC/minute

Contact Resistance : 40mΩ(MAX.)

Insulation Resistance : 1000MΩ(MIN.)

Temperature Range : -40°C~+105°C

Unit: mm

Part No.	Dimensions			
	A	B	C	D
12P	15.17	22.63	14.00	19.70
16P	19.17	26.63	18.00	23.70
20P	23.17	30.63	22.00	27.70
24P	27.17	34.63	26.00	31.70

Material	Color	PIN Material
PBT,UL94V-0	Gray	Brass

GENERAL TOLERANCES		SCALE:	NAME	DATE	康导新能源	PART NO: 42013W91-NP*-B3-**
LINEAR	ANGLES	1:1	黎腾	2017.06.16		
0.0±0.25	X° REF±6°	APPROVED	肖坤权	2017.06.16	网址: www.dgconne.com 电话: 0760-853377633 邮箱: 2850175986@qq.com 传真: 0760-853922827	DWG. NO: ENDE05
0.00±0.15	X° ±3°	DESIGNER	旷淇	2017.06.16		
0.000±0.08	X° X'±2°	DRAWN	旷淇	2017.06.16	TITLE: 2.00mm pitch Dual Wafer	REV: A0 SHEET: 1/1