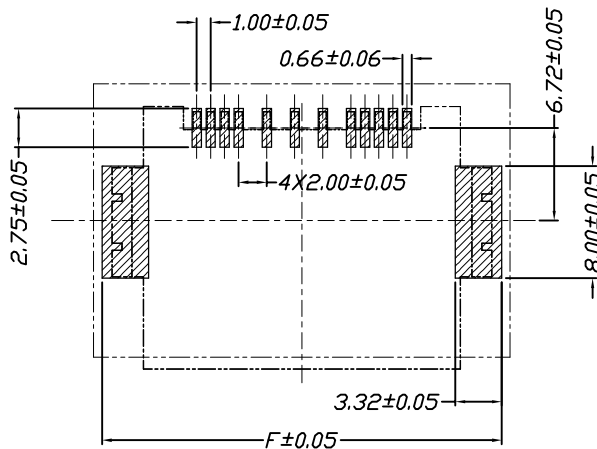
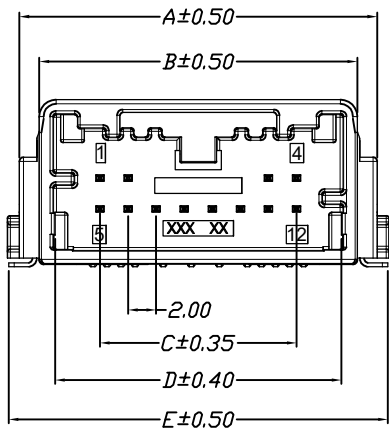
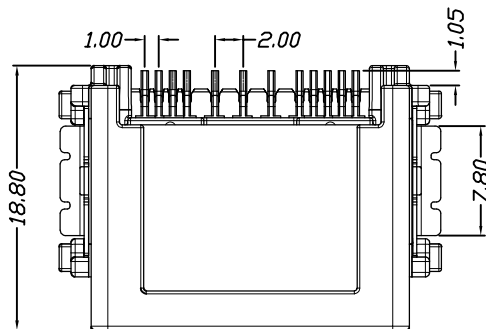


环保物料



Specifications:

Voltage Rating : 125V AC/DC

Current Rating : 3A AC,DC

Withstand Voltage : 600V AC/minute

Contact Resistance : 40mΩ(MAX.)

Insulation Resistance : 1000MΩ(MIN.)

Temperature Range : -40°C~+105°C

Unit: mm

Part No.	Dimensions					
	A	B	C	D	E	F
12P	25.49	22.62	14.00	20.40	27.05	28.52
16P	29.49	26.62	18.00	24.40	31.05	32.52
20P	33.49	30.62	22.00	28.40	35.05	36.52
24P	37.49	34.62	26.00	32.40	39.05	40.52

Material	Color	PIN Material
PBT,UL94V-0	Gray	Brass

GENERAL TOLERANCES		SCALE:	NAME	DATE
		1:1		
LINEAR	ANGLES	APPROVED	黎腾	2017.06.16
0.0±0.25	X° REF±6°	DESIGNER	肖坤权	2017.06.16
0.00±0.15	X° ±3°	DRAWN	旷淇	2017.06.16
0.000±0.08	X° X'±2°			

 **康导新能源**

网址: www.dgconne.com 电话: 0769-853377633
 邮箱: 2850175986@qq.com 传真: 0769-853922827

TITLE: **2.00mm pitch Dual Wafer**

PART NO:	42013W91-NP*-A2-**	
DWG NO:	ENDE05	
REV:	A0	SHEET: 1/1