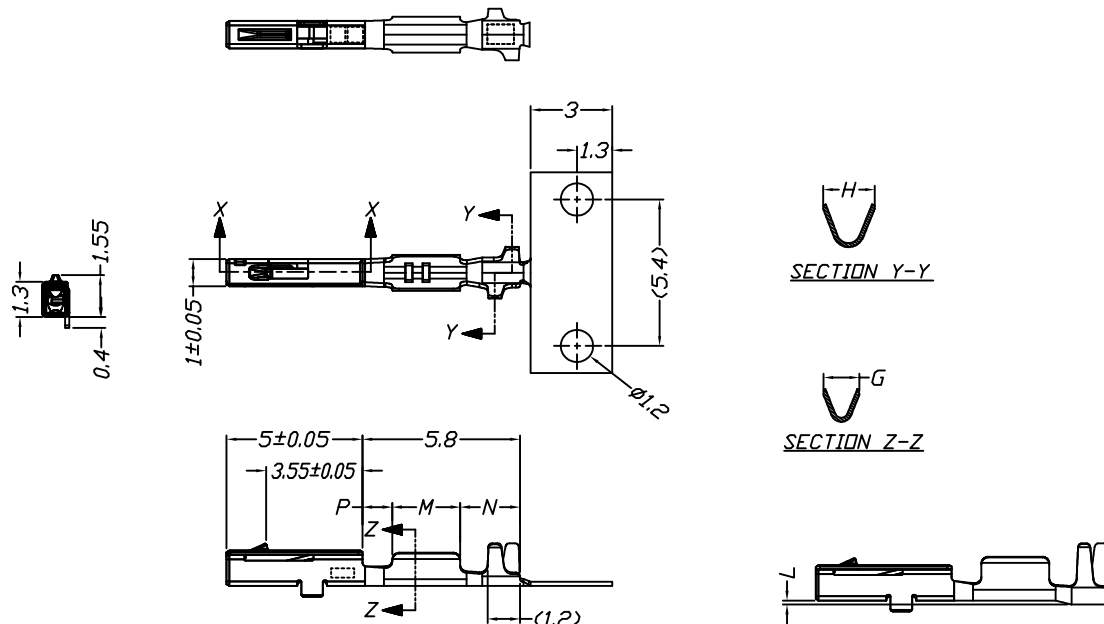


环保物料

Specifications:
 Voltage Rating : 125V AC/DC
 Current Rating : 3A AC,DC
 Withstand Voltage : 600V AC/minute
 Contact Resistance : 40mΩ(MAX.)
 Insulation Resistance : 1000MΩ(MIN.)
 Temperature Range : -40°C~+105°C



Ordering Information & Specifications

Part No	Wire Range (mm ²)	Insulation O.D.	Material	Finish
42013TOP-**	0.25	1.4mm Max.	Phosphor Bronze	Au or Sn
42013T1P-**	0.22	1.2mm Max.	Phosphor Bronze	Au or Sn
42013T2P-**	0.13	1.05mm Max.	Phosphor Bronze	Au or Sn

Unit: mm

Unit: mm

Part No.	Dimensions							
	G	H	J	K	L	M	N	P
42013T1P-**	1.65	2.25	0.45	0.47	0.00	2.00	2.40	1.40
42013T2P-**	1.27	1.90	0.34	0.41	0.00	2.00	2.40	1.40
	1.32	1.90	0.24	0.41	0.00	2.50	2.20	1.10
42013TOP-**	1.65	2.35	0.40	0.68	0.15	2.50	2.20	1.10

GENERAL TOLERANCES		SCALE:	NAME	DATE	康导新能源 康导, www.dgconne.com 电话: 0760-853377633 邮箱: 2850175886@qq.com 传真: 0760-853922827	PART. NO:
LINEAR	ANGLES	1:1	黎腾	2017.06.16		42013T*P-**
0.0±0.25	X° REF±6°	APPROVED	肖坤权	2017.06.16	TITLE: 2.00mm pitch Crimp Terminal	DWG. NO:
0.00±0.15	X° ±3°	DESIGNER	旷淇	2017.06.16		ENDE05
0.000±0.08	X° X'±2°	DRAWN				REV: A0 SHEET: 1/1
A0	新图面发行	2017.06.16	UNIT: MM			
REV.	REVISION RECORD	DATE	SIZE: A4			