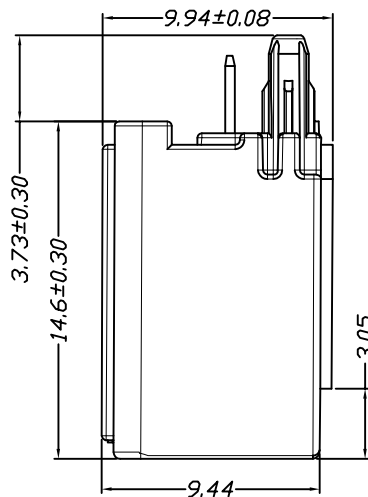
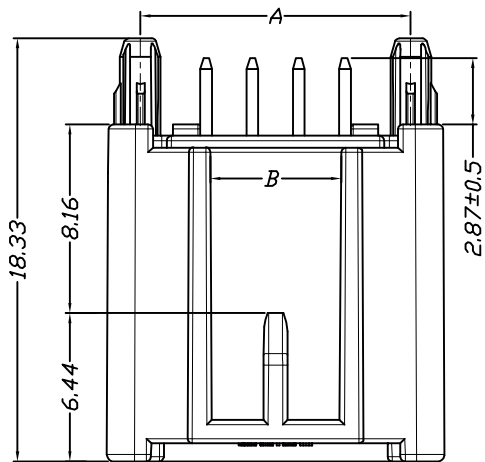
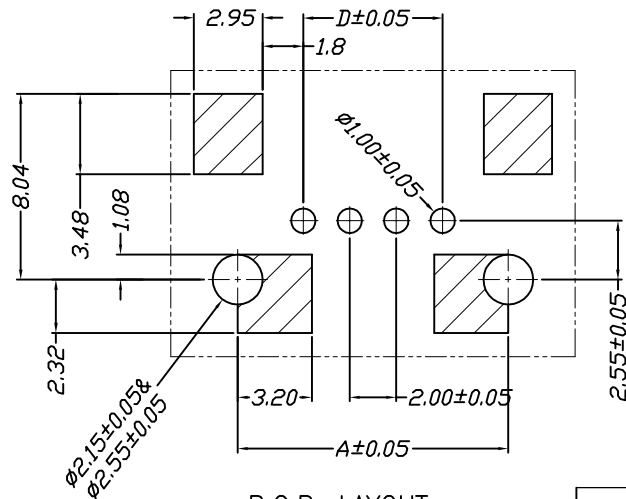
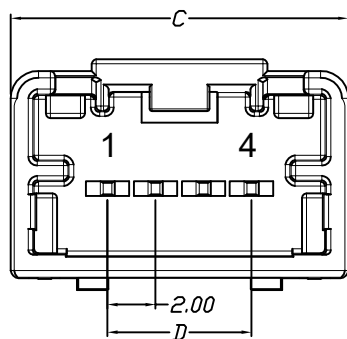


环保物料



Specifications:
 Voltage Rating : 125V AC/DC
 Current Rating : 3A AC,DC
 Withstand Voltage : 600V AC/minute
 Contact Resistance : 40mΩ(MAX.)
 Insulation Resistance : 1000MΩ(MIN.)
 Temperature Range : -40°C~+105°C



P.C.B. LAYOUT

Unit: mm

Part No.	Dimensions			
	A	B	C	D
4P	11.70	5.67	14.62	6.00
8P	19.70	13.30	22.62	14.00

Material	Color	PIN Material
PBT,UL94V-0	Gray	Brass/Gold&Ni-plated

REV.	REVISION RECORD	DATE	UNIT: MM	SIZE: A4	GENERAL TOLERANCES		SCALE: 1:1	NAME	DATE
					LINEAR	ANGLES			
A0	新图面发行	2017.06.16	MM	A4	0.00±0.15	X° ±3°	APPROVED	黎腾	2017.06.16
					0.00±0.08	X° X'±2°	DESIGNER	肖坤权	2017.06.16
							DRAWN	旷淇	2017.06.16

康导新能源
 网址: www.dgconne.com 电话: 0769-853377833
 邮箱: 2850175986@qq.com 传真: 0769-853922827

TITLE:
2.00mm pitch Single Wafer

PART NO: 42013W00-NP*-B3-**
DWG. NO: ENDE05
REV: A0 SHEET: 1/1