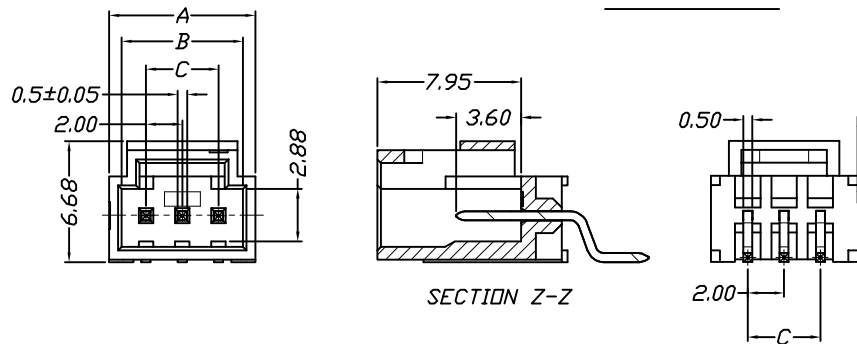
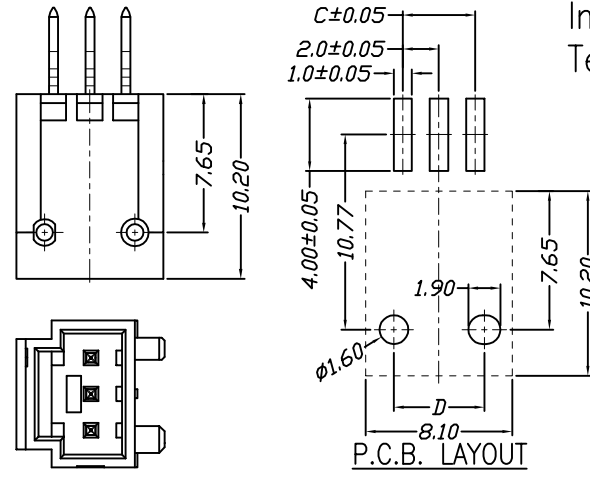
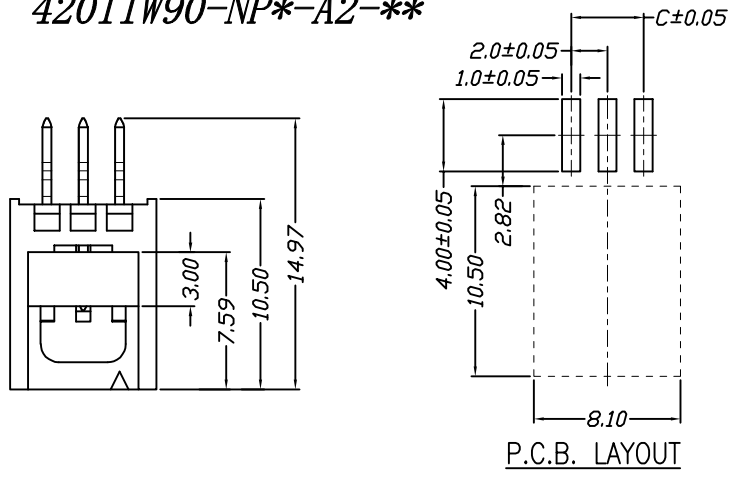


环保物料

Specifications:
 Voltage Rating : 125V AC/DC
 Current Rating : 2A AC,DC
 Withstand Voltage : 500V AC/minute
 Contact Resistance : 30mΩ(MAX.)
 Insulation Resistance : 1000MΩ(MIN.)
 Temperature Range : -40°C~+70°C

42011W90-NP*-A2-**-**

42011W90-NP*-B1-**-**



Unit: mm

Part No.	Dimensions			
	A	B	C	D
2P	6.10	4.70	2.00	3.00
3P	8.10	6.70	4.00	5.00
4P	10.10	8.70	6.00	7.00
5P	12.10	10.70	8.00	9.00
6P	14.10	12.70	10.00	11.00
7P	16.10	14.70	12.00	13.00
8P	18.10	16.70	14.00	15.00
9P	20.10	18.70	16.00	17.00
10P	22.10	20.70	18.00	19.00

Material	Color	PIN Material
PBT,UL94V-0	Gray	Brass/Gold&Ni-plated

GENERAL TOLERANCES		SCALE:	NAME	DATE
		1:1		
LINEAR	ANGLES	APPROVED	黎腾	2017.06.16
0.0±0.25	X° REF±6°	DESIGNER	肖坤权	2017.06.16
0.00±0.15	X° ±3°	DRAWN	旷淇	2017.06.16
0.000±0.08	X° X'±2°			

康导新能源
 网址: www.dgconne.com 电话: 0769-85337633
 邮箱: 2850175986@qq.com 传真: 0769-85392827

TITLE:
2.00mm pitch Single Wafer

PART NO:	42011W90-NP*-**-**-**	
DWG. NO:	ENDE05	
REV:	A0	SHEET: 1/1