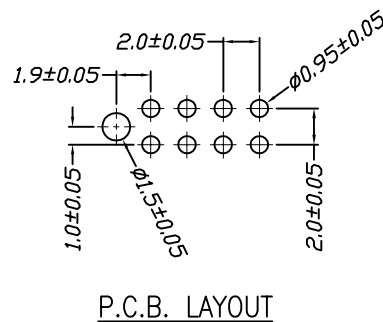
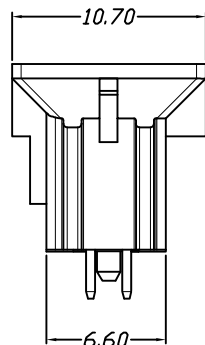
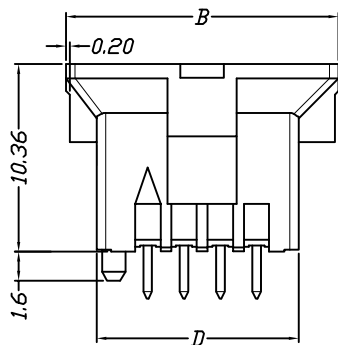
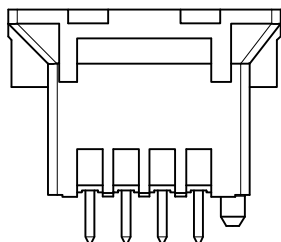
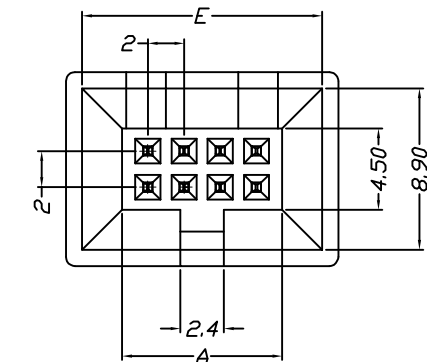


环保物料



Specifications:

Voltage Rating : 125V AC/DC

Current Rating : 2A AC,DC

Withstand Voltage : 600V AC/minute

Contact Resistance : 40mΩ(MAX.)

Insulation Resistance : 1000MΩ(MIN.)

Temperature Range : -40°C~+105°C

Unit: mm

Part No.	Dimensions				
	A	B	C	D	E
4P	4.85	11.05	2.00	7.15	9.25
6P	6.85	13.05	4.00	9.15	11.25
8P	8.85	15.05	6.00	11.15	13.25
10P	10.85	17.05	8.00	13.15	15.25
12P	12.85	19.05	10.00	15.15	17.25
14P	14.85	21.05	12.00	17.15	19.25
16P	16.85	23.05	14.00	19.15	21.25
18P	18.85	25.05	16.00	21.15	23.25
20P	20.85	27.05	18.00	23.15	25.25

Material	Color	PIN Material
PBT,UL94V-0	Gray	Brass

GENERAL TOLERANCES		SCALE:	NAME	DATE
		1:1		
LINEAR	ANGLES	APPROVED	黎腾	2017.06.16
0.0±0.25	X° REF±6°	DESIGNER	肖坤权	2017.06.16
0.00±0.15	X° ±3°	DRAWN	旷淇	2017.06.16
REV.	REVISION RECORD	DATE	UNIT: MM	SIZE: A4
A0	新图面发行	2017.06.16		

**康导新能源**  
 网址: www.dgonne.com 电话: 0789-85377633  
 邮箱: 2850175988@qq.com 传真: 0789-85322827

TITLE: **2.00mm pitch Dual Wafer**

PART NO:	
42010W00-NP*-A1-**	
DWG. NO:	
ENDE05	
REV:	A0
SHEET:	1/1