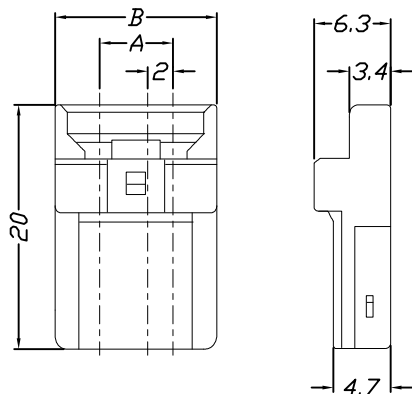


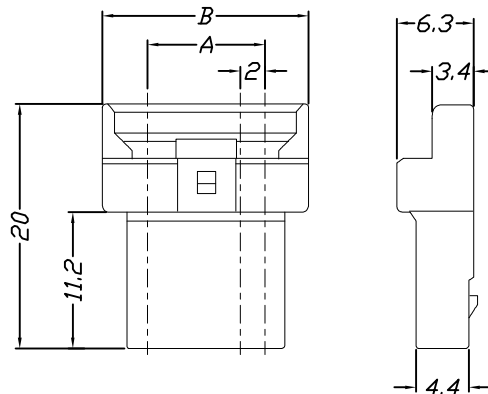
环保物料

Specifications:
 Voltage Rating : 250V AC/DC
 Current Rating : 3A AC,DC
 Withstand Voltage : 800V AC/minute
 Contact Resistance : 10mΩ(MAX.)
 Insulation Resistance : 1000MΩ(MIN.)
 Temperature Range : -25°C~+85°C

<2 to 5 circuits>



<6 to 8 circuits>



Unit: mm

Part No.	Dimensions	
	A	B
2P	2.00	9.40
3P	4.00	11.40
4P	6.00	13.40
5P	8.00	15.40
6P	10.00	17.40
7P	12.00	19.40
8P	14.00	21.40

Material	Color
PA66,UL94V-0	Gray

				GENERAL TOLERANCES		SCALE: 1:1	NAME	DATE
				LINEAR	ANGLES			
			0.0±0.25	X° REF±6°	APPROVED	黎腾	2017.06.16	
A0	新图面发行	2017.06.16	UNIT: MM	0.00±0.15	X° ±3°	DESIGNER	肖坤权	2017.06.16
REV.	REVISION RECORD	DATE	SIZE: A4	0.000±0.08	X° X'±2°	DRAWN	旷淇	2017.06.16

康导新能源 网址: www.dgoonne.com 电话: 0769-853377833 邮箱: 2850175886@qq.com 传真: 0769-853822827		PART. NO: 32005H01-NP*-66
TITLE: 2.00mm pitch Single Housing		DWG. NO: ENDE05
REV:	A0	SHEET: 1/1