

环保物料

Specifications:

Voltage Rating : 250V AC/DC

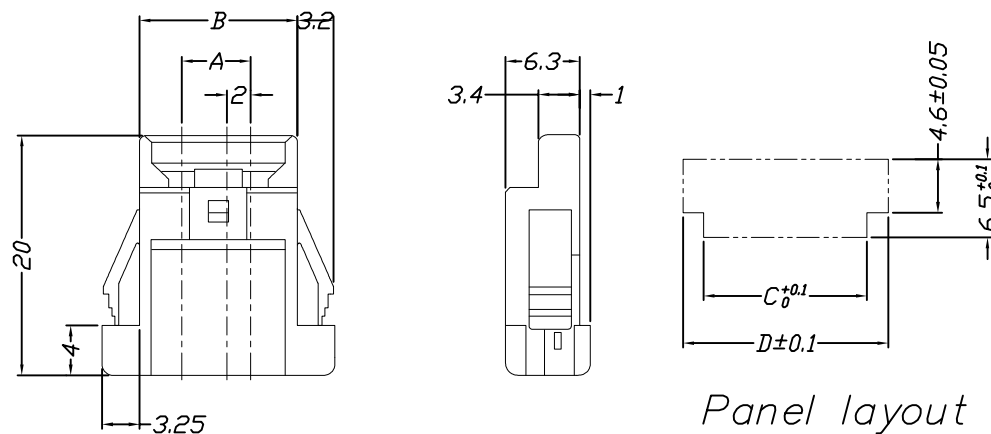
Current Rating : 3A AC,DC

Withstand Voltage : 800V AC/minute

Contact Resistance : 10mΩ(MAX.)

Insulation Resistance : 1000MΩ(MIN.)

Temperature Range : -25°C~+85°C



Circuit No.1

Panel layout

Unit: mm

Part No.	Dimensions			
	A	B	C	D
2P	2.00	9.40	9.80	13.40
3P	4.00	11.40	11.80	15.40
4P	6.00	13.40	13.80	17.40
5P	8.00	15.40	15.80	19.40
6P	10.00	17.40	17.80	21.40
7P	12.00	19.40	19.80	23.40
8P	14.00	21.40	21.80	25.40

Material	Color
PA66,UL94V-0	Gray

REV.	REVISION RECORD	DATE	UNIT: MM	GENERAL TOLERANCES		SCALE: 1:1	NAME	DATE
				LINEAR	ANGLES			
A0	新图面发行	2017. 06. 16	MM	0.00±0.15	X° ±3°	APPROVED	黎腾	2017. 06. 16
				0.00±0.08	X° X'±2°	DESIGNER	肖坤权	2017. 06. 16
			SIZE: A4			DRAWN	旷淇	2017. 06. 16

<p>康导新能源</p> <p>网址: www.dgoonne.com 电话: 0769-85337633</p> <p>邮箱: 2850176968@qq.com 传真: 0769-85392827</p>	PART. NO:	32005H02-NP*-66	
	DWG. NO:	ENDE05	
	REV:	A0	SHEET:

TITLE: 2.00mm pitch Single Housing