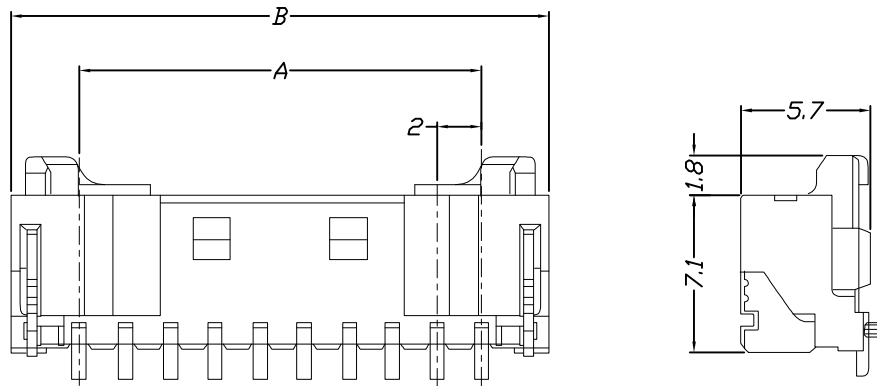


环保物料



Specifications:

Voltage Rating : 250V AC/DC

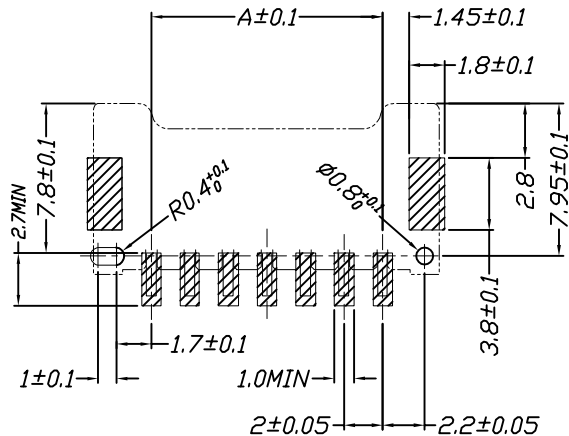
Current Rating : 3A AC,DC

Withstand Voltage : 800V AC/minute

Contact Resistance : 10mΩ(MAX.)

Insulation Resistance : 1000MΩ(MIN.)

Temperature Range : -25°C~+85°C



P.C.B. LAYOUT

Unit: mm

Part No.	Dimensions		Part No.	Dimensions	
	A	B		A	B
2P	2.00	8.00	9P	16.00	22.00
3P	4.00	10.00	10P	18.00	24.00
4P	6.00	12.00	11P	20.00	26.00
5P	8.00	14.00	12P	22.00	28.00
6P	10.00	16.00	13P	24.00	30.00
7P	12.00	18.00	14P	26.00	32.00
8P	14.00	20.00	15P	28.00	34.00

Material	Color	PIN Material
PBT,UL94V-0	Gray	Brass/Gold&Ni-plated

REV.	REVISION RECORD	DATE	UNIT: MM	GENERAL TOLERANCES		SCALE: 1:1	NAME	DATE	康导新能源 网址: www.dgoonne.com 电话: 0769-85337 邮箱: 2850175886@qq.com 传真: 0769-85392	PART NO: 42004W90-NP*-A2-**
				LINEAR	ANGLES					
A0	新图面发行	2017.06.16	MM	0.00±0.15	X° ±3°	APPROVED	黎腾	2017.06.16	康导新能源 网址: www.dgoonne.com 电话: 0769-85337 邮箱: 2850175886@qq.com 传真: 0769-85392	PART NO: 42004W90-NP*-A2-**
				0.0±0.25	X° REF±6°	DESIGNER	肖坤权	2017.06.16		
				0.000±0.08	X° X'±2°	DRAWN	旷洪	2017.06.16		
			SIZE: A4			TITLE: 2.00mm pitch Single Wafer			REV: A0	SHEET: 1/1