

环保物料

Specifications:

Voltage Rating : 50V AC/DC

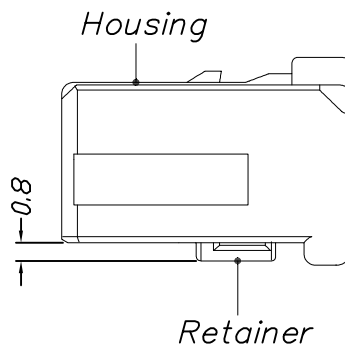
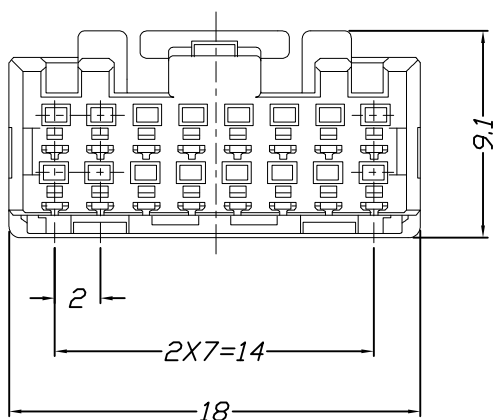
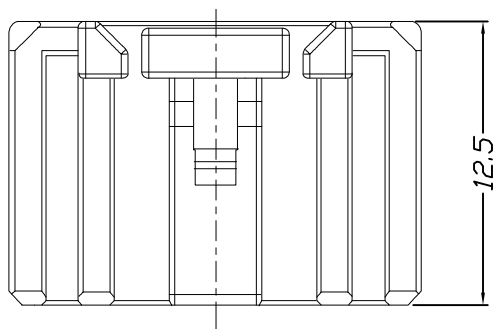
Current Rating : 3A AC,DC

Withstand Voltage : 1000V AC/minute

Contact Resistance : 8mΩ(MAX.)

Insulation Resistance : 100MΩ(MIN.)

Temperature Range : -40°C~+100°C



Part No	Dimensions	
	A	B
2*4P	6.00	10.00
2*6P	10.00	14.00
2*8P	14.00	18.00
2*10P	18.00	22.00
2*12P	22.00	26.00

Material	Color
PBT,UL94V-0	Gray

		GENERAL TOLERANCES		SCALE:	NAME	DATE	 康导新能源 网址: www.dgoonne.com 电话: 0769-85337 邮箱: 2850178886@qq.com 传真: 0769-85392	PART. NO:			
		LINEAR	ANGLES	1:1	APPROVED	黎腾		2017.06.16	42003H00-2XNP*-PT		
A0	新图面发行	2017.06.16	UNIT: MM	0.0±0.25	X° REF±6°	DESIGNER		肖坤权	2017.06.16	DWG. NO:	
REV.	REVISION RECORD	DATE	SIZE: A4	0.00±0.15	X° ±3°	DRAWN		旷洪	2017.06.16	ENDE05	
				0.000±0.08	X° X'±2°	TITLE:			REV: A0 SHEET: 1/1		
				2.00mm pitch Dual Housing							