

环保物料

Specifications:

Voltage Rating : 100V AC/DC

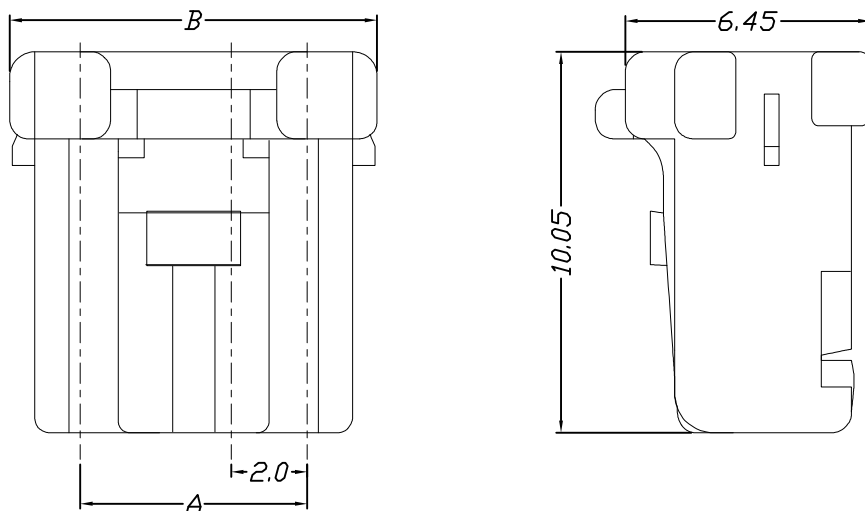
Current Rating : 3A AC,DC

Withstand Voltage : 800V AC/minute

Contact Resistance : 20mΩ(MAX.)

Insulation Resistance : 1000MΩ(MIN.)

Temperature Range : -25°C~+85°C



Unit: mm

Part No.	Dimensions	
	A	B
2P	-	5.70
3P	4.00	7.70
4P	6.00	9.70
5P	8.00	11.70
6P	10.00	13.70
7P	12.00	15.70
8P	14.00	17.70
9P	16.00	19.70
10P	18.00	21.70

Material	Color
PBT,UL94V-0	Gray

		GENERAL TOLERANCES		SCALE:	NAME	DATE	康导新能源 网址: www.dgoonne.com 电话: 0768-8537633 邮箱: 2850175986@qq.com 传真: 0768-85392827	PART NO:					
		<table border="1"> <tr> <th>LINEAR</th> <th>ANGLES</th> </tr> <tr> <td>0.0±0.25</td> <td>X° REF±6°</td> </tr> </table>		LINEAR	ANGLES	0.0±0.25		X° REF±6°	1:1	黎腾	2017.06.16	42002H00-NP*-PT	
LINEAR	ANGLES												
0.0±0.25	X° REF±6°												
AO	新图面发行	2017.06.16	UNIT: MM	0.00±0.15	X° ±3°	肖坤权	2017.06.16	DWG. NO:					
REV.	REVISION RECORD	DATE	SIZE: A4	0.000±0.08	X° X'±2°	旷淇	2017.06.16	REV: A0 SHEET: 1/1					

TITLE: 2.00mm pitch Single Housing