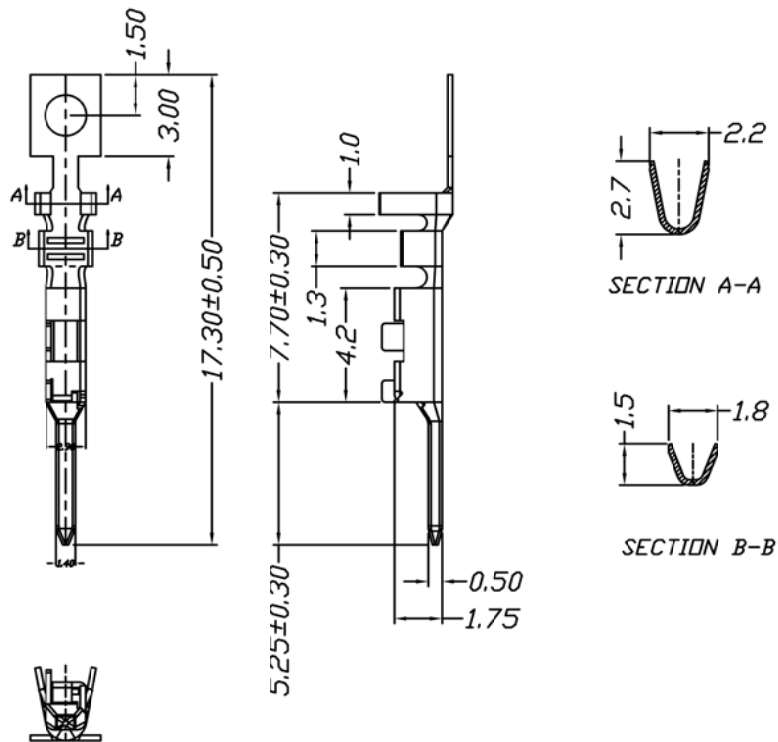


环保物料



Specifications:

Voltage Rating : 250V AC/DC

Current Rating : 3A AC,DC

Withstand Voltage : 1000V AC/minute

Contact Resistance : 20mΩ(MAX.)

Insulation Resistance : 100MΩ(MIN.)

Temperature Range : -55°C~+105°C

Part No	Wire Range	Insulation O. D.	Material	Finish
32001T0 P-**-T	AWG#22 -#28	1.00mm (max)	Phosphor Bronze	Au or Sn

GENERAL TOLERANCES		SCALE:	NAME	DATE	康导新能源 网址: www.dgoonne.com 电话: 0759-85337633 邮箱: 2850175066@qq.com 传真: 0759-85392827	PART NO: 32001T1P-**-T
LINEAR	ANGLES	1:1	APPROVED	黎腾		
0.0±0.25	X° REF±6°		DESIGNER	肖坤权	2017.06.16	DWG. NO:
0.00±0.15	X° ±3°		DRAWN	旷淇	2017.06.16	REV: A0 SHEET: 1/1
0.000±0.08	X° X'±2°		TITLE: 2.00mm pitch Crimp Terminal			



UNIT: MM
SIZE: A4