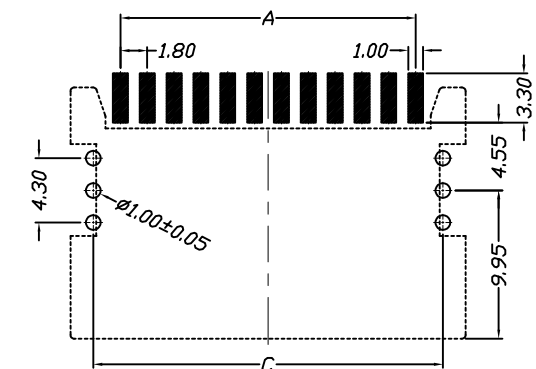
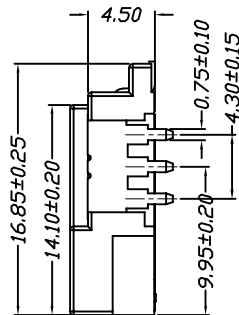
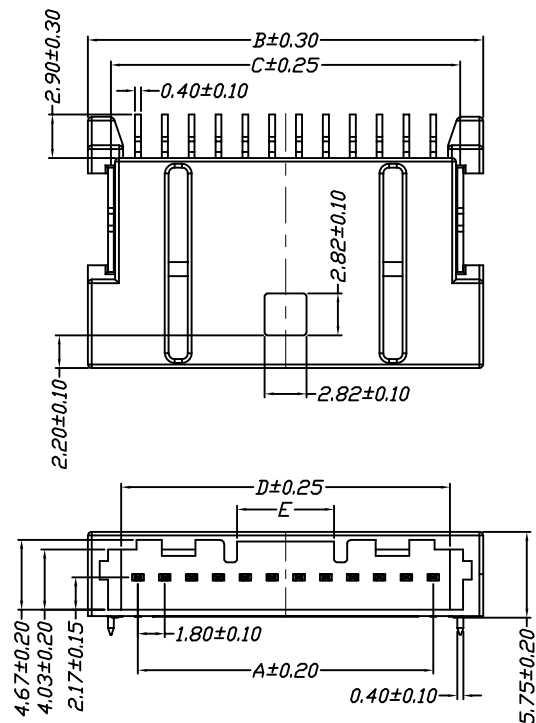
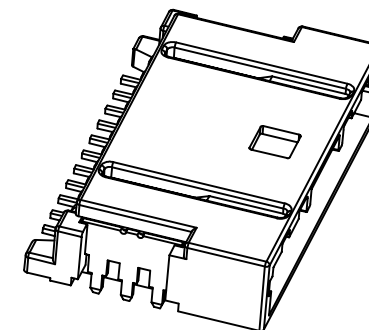


# 环保物料



Recommended PCB pattern


Specifications:  
 Voltage Rating : 250V AC/DC  
 Current Rating : 1A AC,DC  
 Withstand Voltage : 1000V AC/minute  
 Contact Resistance : 20mΩ(MAX.)  
 Insulation Resistance : 1000MΩ(MIN.)  
 Temperature Range : -40°C~+120°C



Poles	Dim A	Dim B	Dim C	Dim D	Dim E
4	5.40	12.10	9.03	7.64	2.90
5	7.20	13.90	10.83	9.44	2.90
6	9.00	15.70	12.63	11.24	2.90
7	10.80	17.50	14.43	13.04	2.90
8	12.60	19.30	16.23	14.84	2.90
9	14.40	21.10	18.03	16.64	2.90
10	16.20	22.90	19.83	18.44	6.50
11	18.00	24.70	21.63	20.24	6.50
12	19.80	26.50	23.43	22.04	6.50
13	21.60	28.30	25.23	23.84	6.50
14	23.40	30.10	27.03	25.64	6.50
15	25.20	31.90	28.83	27.44	6.50
16	27.00	33.70	30.63	29.24	6.50
17	28.80	35.50	32.43	31.04	6.50
18	30.60	37.30	34.23	32.84	6.50
19	32.40	39.10	36.03	34.64	6.50
20	34.20	40.90	37.83	36.44	6.50

Material	Color	PIN Material
LCP/PA,UL94V-0	BLACK	Bronze/Gold&Ni-plated

GENERAL TOLERANCES		SCALE:	NAME	DATE
LINEAR	ANGLES	1:1	黎腾	2017.06.16
0.0±0.35	X° REF±6°	APPROVED	肖坤权	2017.06.16
A0	新图面发行	DESIGNER	明淇	2017.06.16
REV.	REVISION RECORD	DATE	UNIT: MM	0.00±0.25
		DATE	SIZE: A4	X° ±3°
		DATE	0.000±0.15	X° X'±2°



**康导新能源**

网址: www.dgonne.com 电话: 0769-85337633  
 邮箱: 2850175986@qq.com 传真: 0769-85392627

PART. NO:  
41801W90-NPA-B1-\*\*

DWG. NO:

REV: A0 SHEET: 1/1

TITLE: 1.80mm Pitch 90° Single Wafer SMT Type