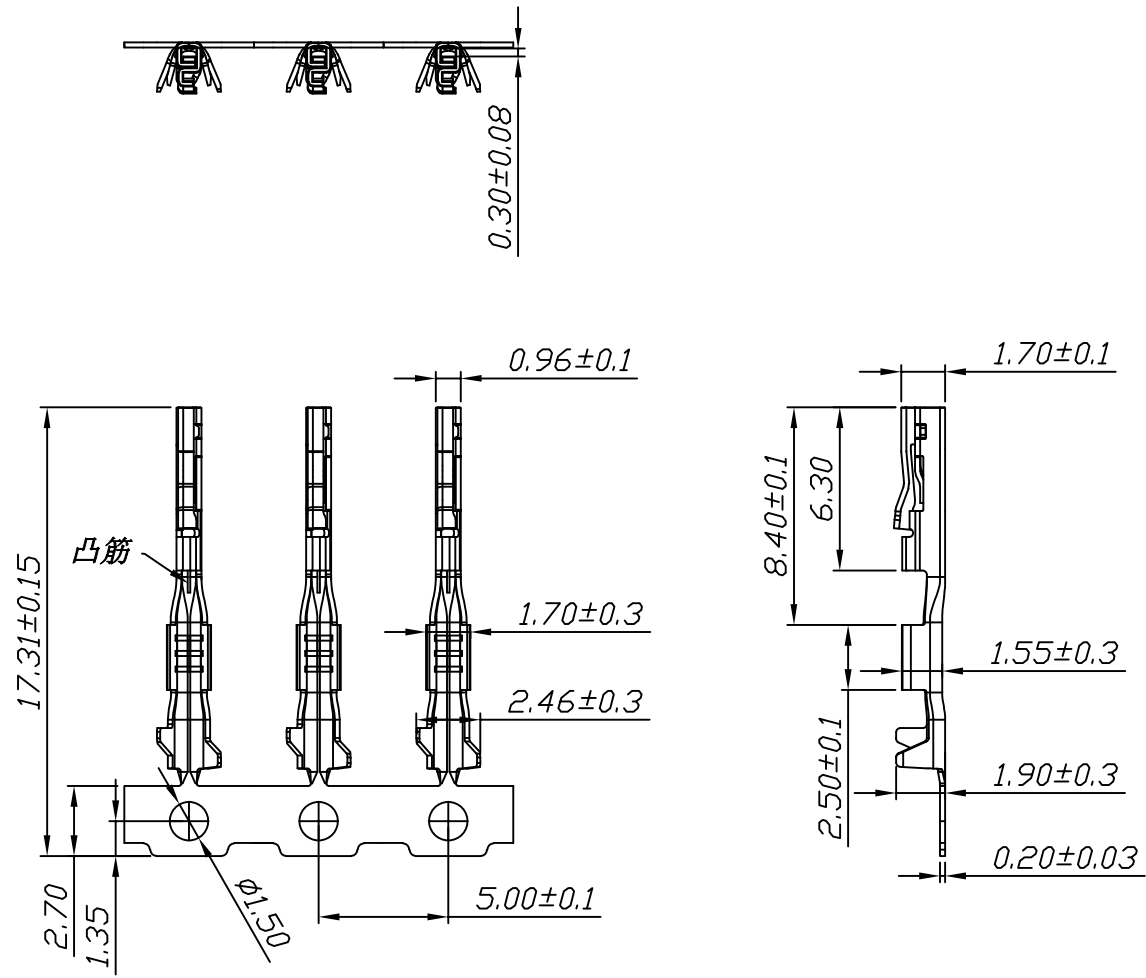


环保物料



Specifications:
 Voltage Rating : 250V AC/DC
 Current Rating : 1A AC,DC
 Withstand Voltage : 1000V AC/minute
 Contact Resistance : 20mΩ(MAX.)
 Insulation Resistance : 1000MΩ(MIN.)
 Temperature Range : -40°C~+120°C

Material	Finish
C5191R-1/2H (T=0.20)	Gold-plated

				GENERAL TOLERANCES		SCALE: 1:1	NAME	DATE
				LINEAR	ANGLES	APPROVED	黎腾	2021.06.16
				0.0±0.25	X° REF±6°	DESIGNER	肖坤权	2021.06.16
A0	新图面发行	2021.06.16	UNIT: MM	0.00±0.15	X° ±3°	DRAWN	旷淇	2021.06.16
REV.	REVISION RECORD	DATE	SIZE: A4	0.000±0.08	X° X'±2°			

TITLE:
1.80mm PITCH Terminal

PART. NO: 41801TOP-**-B	
DWG. NO:	
REV: A0	SHEET: 1/1