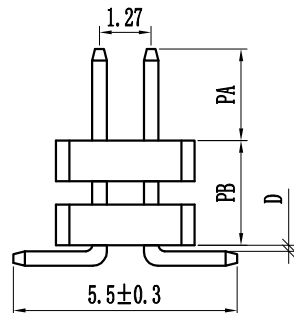
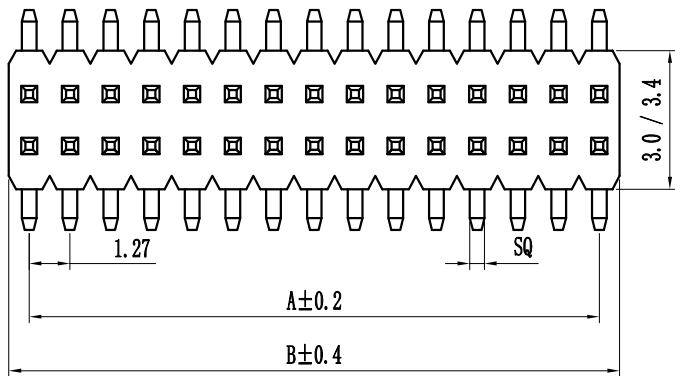
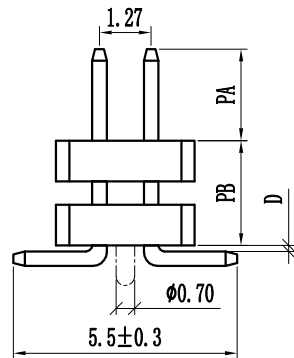
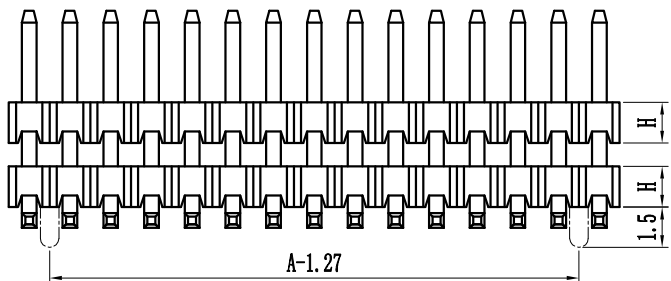


环保物料

| Pin数 | 尺寸A | 尺寸B |
|------|-------|-------|
| 2X1 | - | 1.27 |
| 2X2 | 1.27 | 2.54 |
| 2X3 | 2.54 | 3.81 |
| 2X4 | 3.81 | 5.08 |
| 2X5 | 5.08 | 6.35 |
| 2X6 | 6.35 | 7.62 |
| 2X7 | 7.62 | 8.89 |
| 2X8 | 8.89 | 10.16 |
| 2X9 | 10.16 | 11.43 |
| 2X10 | 11.43 | 12.70 |
| 2X11 | 12.70 | 13.97 |
| 2X12 | 13.97 | 15.24 |
| 2X13 | 15.24 | 16.51 |
| 2X14 | 16.51 | 17.78 |
| 2X15 | 17.78 | 19.05 |
| 2X16 | 19.05 | 20.32 |
| 2X17 | 20.32 | 21.59 |
| 2X18 | 21.59 | 22.86 |
| 2X19 | 22.86 | 24.13 |
| 2X20 | 24.13 | 25.40 |
| 2X21 | 25.40 | 26.67 |
| 2X22 | 26.67 | 27.94 |
| 2X23 | 27.94 | 29.21 |
| 2X24 | 29.21 | 30.48 |
| 2X25 | 30.48 | 31.75 |
| 2X26 | 31.75 | 33.02 |
| 2X27 | 33.02 | 34.29 |
| 2X28 | 34.29 | 35.56 |
| 2X29 | 35.56 | 36.83 |
| 2X30 | 36.83 | 38.10 |
| 2X31 | 38.10 | 39.37 |
| 2X32 | 39.37 | 40.64 |
| 2X33 | 40.64 | 41.91 |
| 2X34 | 41.91 | 43.18 |
| 2X35 | 43.18 | 44.45 |
| 2X36 | 44.45 | 45.72 |
| 2X37 | 45.72 | 46.99 |
| 2X38 | 46.99 | 48.26 |
| 2X39 | 48.26 | 49.53 |
| 2X40 | 49.53 | 50.80 |
| 2X41 | 50.80 | 52.07 |
| 2X42 | 52.07 | 53.34 |
| 2X43 | 53.34 | 54.61 |
| 2X44 | 54.61 | 55.88 |
| 2X45 | 55.88 | 57.15 |
| 2X46 | 57.15 | 58.42 |
| 2X47 | 58.42 | 59.69 |
| 2X48 | 59.69 | 60.96 |
| 2X49 | 60.96 | 62.23 |
| 2X50 | 62.23 | 63.50 |



| |
|------|
| SQ |
| 0.40 |
| 0.46 |



Specification:
 Current Rating : 1AMP
 Temperature Range : -40°Cto+105°C
 Contact Resistance : 20mΩ Max
 Insulation Resistance : 1000MΩ Min
 Withstanding Voltage : AC 500V
 Material:
 Insulator : Polyester (UL94V-0)
 Standard:PA6T/LCP
 Contact: Brass
 Plating : Au or Sn Over 50u" Ni

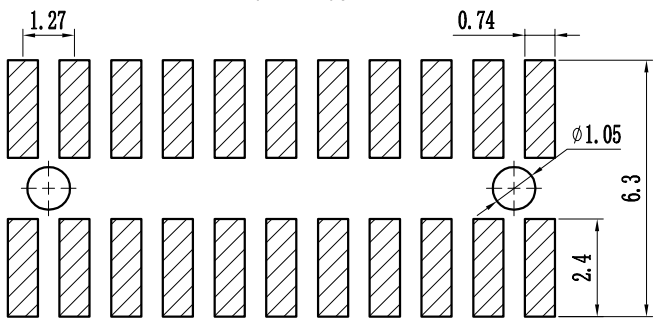
| Height |
|---|
| H=0.65mm, 1.0MM, 1.5mm, 1.7mm, 2.0mm, 2.5mm |

P 12 9S-XXX X X-XX-X-XXX
 ① ② ③ ④ ⑤ ⑥ ⑦ ⑧ ⑨

| | | | | |
|---|---|---|--|--|
| ① Series No: P=Pin Header F=Female Header B=Box Header E=Ejector Header | ② Pitch: 08-0.80 10-1.00 12-1.27 20-2.00 25-2.54 39-3.96 50-5.08 | ③ Tail&Mounting Style: 9D=Right Angle DIP Type 9S=Straight SMT Type 0D=Straight DIP Type 0S=Horizontal SMT Type | ④ No. of Pins: Single Row 101=1*1Pin 102=1*2Pin ∴ ∴ ∴ 140=1*40pin | ⑤ Insulator Color: A:Black B:Brown C:Red D:Orange E:Yellow F:Green G:Blue H:Violet J:Gray K:White P:Light Blue |
|---|---|---|--|--|

| | | | |
|--|---|--|-----------------|
| ⑥ Material Type: A-PBT B-PA66 C-PA6T D-PA9T E-LCP | ⑦ Plating Type: 0*-Sn-Au 1*-Ni 2*-Sn 3*-Matte-Tin 5*-Au 0A-Sn-Au 1u" 0F-Sn-Au 10u" 5A-Au 1u" 0B-Sn-Au 2u" 0C-Sn-Au 15u" 5B-Au 2u" 0C-Sn-Au 3u" 0H-Sn-Au 30u" 5C-Au 3u" 0D-Sn-Au 4u" 0I-Sn-Au 40u" ∴ 0E-Sn-Au 5u" 0J-Sn-Au 50u" 5J-Au 50u" | ⑧ RoHS Request: 0:No Request 1:RoHS 2:HF (Halogen Free) | ⑨ Customer Code |
|--|---|--|-----------------|

PCB LAYOUT



| | | | | | | |
|------|-----------------|--------------------|-----------|---------------|------|------------|
| | | GENERAL TOLERANCES | | SCALE: 1:1 | NAME | DATE |
| | | LINEAR | ANGLES | APPROVED | 黎腾 | 2017.06.16 |
| | | 0.0±0.25 | X° REF±6° | DESIGNER | 肖坤权 | 2017.06.16 |
| AO | 新图面发行 | 2017.06.16 | UNIT: MM | DRAWN | 旷淇 | 2017.06.16 |
| REV. | REVISION RECORD | DATE | SIZE: A4 | | | |

康导新能源
 网址: www.dgoonne.com 电话: 0769-85337633
 邮箱: 2850175086@qq.com 传真: 0769-85392827

| | |
|-----------|-----------|
| PART. NO: | KDPH-0031 |
| DWG. NO: | ENDE0031 |
| REV: | AO |
| SHEET: | 1/1 |