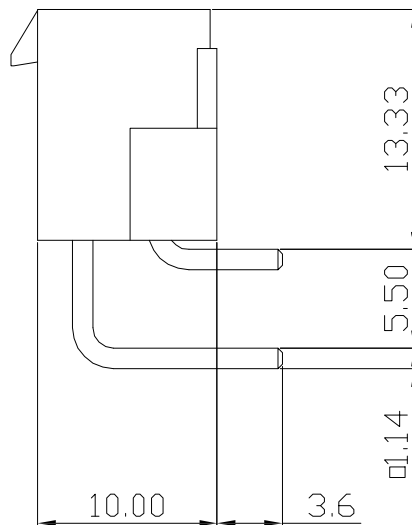
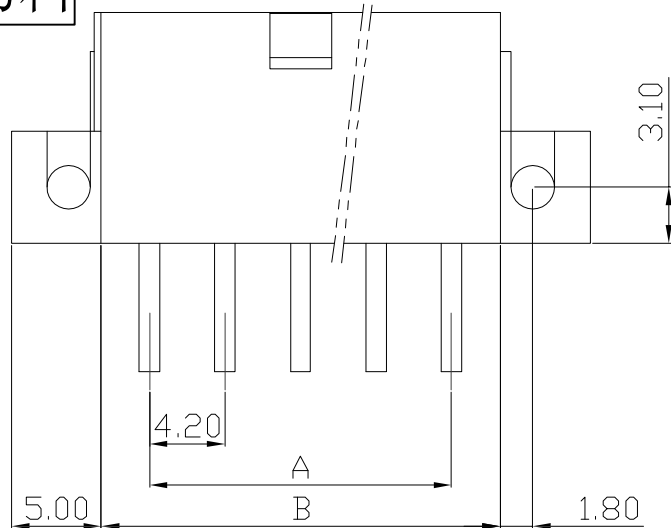


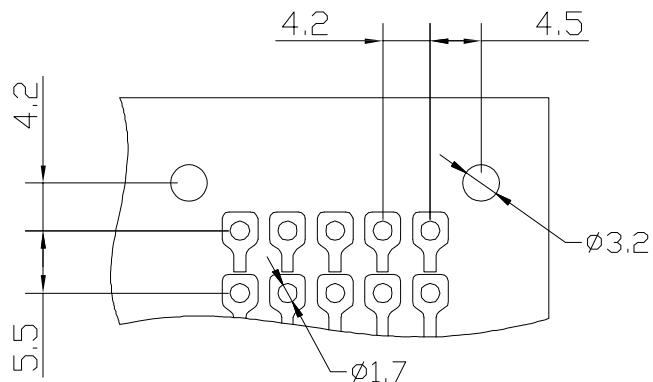
环保物料



主要技术参数 Main Specifications

线数 (Poles): 02 to 24
 接触电阻 (Contact resistance): $\leq 15m\Omega$
 绝缘电阻 (Insulation resistance): $\geq 1000M\Omega$
 额定电压 (Rated voltage): 300V AC DC
 额定电流 (Rated current): 9.0A AC DC
 耐电压 (Withstand Voltage): 1500V AC/minute
 温度范围 (Temperature Range): $-25^{\circ}C \sim +85^{\circ}C$

Poles	Dimensions mm	
	A	B
2		5.40
4	4.20	9.60
6	8.40	13.80
8	12.60	18.00
10	16.80	22.20
12	21.00	26.40
14	25.20	30.60
16	29.40	34.80
18	33.60	39.00
20	37.80	43.20
22	42.00	47.40
24	46.20	51.60



PCB Layout

2		Wafer 针	Brass Tin 黄铜镀锡	N	
1		Housing 基座	PA66 (UL94V-0/V-2)	1	White (白色)
序号	图号	名称	材料	数量	附注

		GENERAL TOLERANCES		SCALE:	NAME	DATE	康导新能源 网址: www.dgconne.com 电话: 0769-85337633 邮箱: 2850175988@qq.com 传真: 0769-85392827	PART. NO:		
		LINEAR	ANGLES	1:1	APPROVED	黎腾		2017.06.16	24202AWD2	
AO	新图面发行	2017.06.16	UNIT: MM	0.00 \pm 0.25	X $^{\circ}$ \pm 3 $^{\circ}$	DESIGNER	肖坤权	2017.06.16	DWG. NO:	
REV.	REVISION RECORD	DATE	SIZE: A4	0.000 \pm 0.15	X $^{\circ}$ X' \pm 2 $^{\circ}$	DRAWN	旷淇	2017.06.16	REV: AO SHEET: 1/1	