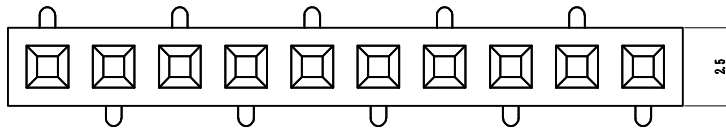
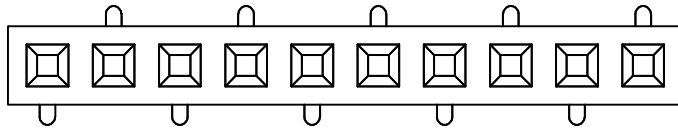


环保物料

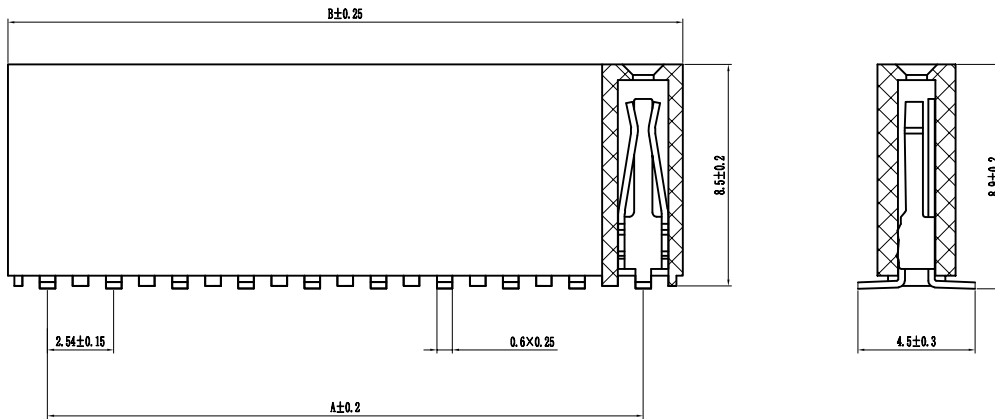
Pin数	尺寸A	尺寸B
1X2	2.54	5.58
1X3	5.08	8.12
1X4	7.62	10.66
1X5	10.16	13.20
1X6	12.70	15.74
1X7	15.24	18.28
1X8	17.78	20.82
1X9	20.32	23.36
1X10	22.86	25.90
1X11	25.40	28.44
1X12	27.94	30.98
1X13	30.48	33.52
1X14	33.02	36.06
1X15	35.56	38.60
1X16	38.10	41.14
1X17	40.64	43.68
1X18	43.18	46.22
1X19	45.72	48.76
1X20	48.26	51.30
1X21	50.80	53.84
1X22	53.34	56.38
1X23	55.88	58.92
1X24	58.42	61.46
1X25	60.96	64.00
1X26	63.50	66.54
1X27	66.04	69.08
1X28	68.58	71.62
1X29	71.12	74.16
1X30	73.66	76.70
1X31	76.20	79.24
1X32	78.74	81.78
1X33	81.28	84.32
1X34	83.82	86.86
1X35	86.36	89.40
1X36	88.90	91.94
1X37	91.44	94.48
1X38	93.98	97.02
1X39	96.52	99.56
1X40	99.06	102.10



B Type



A Type



Specification:

Current Rating : 3AMP

Temperature Range : -40°Cto+105°C

Contact Resistance : 20mΩ Max

Insulation Resistance : 1000MΩ Min

Withstanding Voltage : AC 1000V

Material:

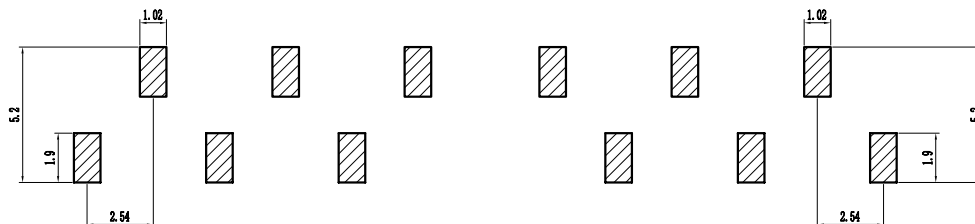
Insulator : Polyester (UL94V-0)

Standard:PA6T/LCP

Contact: Bronze

Plating : Au or Sn Over 50u" Ni

PCB LAYOUT



A Type

B Type

F 25 9S-XXX X X -XX-X-XXX
① ② ③ ④ ⑤ ⑥ ⑦ ⑧ ⑨

① Series No:	② Pitch:	③ Tail/Mounting Style:	④ No. of Pins:	⑤ Insulator Color:
P=Pin Header	08-0.80	9D-Right Angle DIP Type	Single Row Double Row	A:Black B:Brown C:Red
F=Female Header	10-1.00	9S-Straight SMT Type	101=1*1Pin 201=2*1Pin	D:Orange E:Yellow F:Green
B=Box Header	12-1.27	0D-Straight DIP Type	102=1*2Pin 202=2*2Pin	G:Blue H:Violet J:Gray
E=Ejector Header	20-2.00	0S-Horizontal SMT Type	! ! ! ! !	K:White P:Light Blue
	25-2.54		140=1*40pin 240=2*40pin	
	39-3.96			
	50-5.08			
⑥ Material Type:	⑦ Plating Type:	⑧ RoHS Request:	⑨ Customer Code	
A-PBT	0*-Sn-Au 1*-Ni 2*-Sn 3*-Matte-Tin 5*-Au	0:No Request		
B-PA46	0A-Sn-Au 1u" 0F-Sn-Au 10u" 5A-Au 1u"	1:RoHS		
C-PA6T	0B-Sn-Au 2u" 0G-Sn-Au 15u" 5B-Au 2u"	2:HF (Halogen Free)		
D-PA6T	0C-Sn-Au 3u" 0H-Sn-Au 30u" 5C-Au 3u"			
E-LCP	0D-Sn-Au 4u" 0I-Sn-Au 40u" !			
	0E-Sn-Au 5u" 0J-Sn-Au 50u" 5J-Au 50u"			

REV.	REVISION RECORD	DATE	UNIT: MM	GENERAL TOLERANCES		SCALE: 1:1	NAME	DATE
				LINEAR	ANGLES			
				0.00±0.15	X° REF±6°		黎腾	2017.06.16
				0.00±0.15	X° ±3°		肖坤权	2017.06.16
				0.000±0.08	X° X'±2°		旷淇	2017.06.16

康导新能源
 网址: www.dgoonne.com 电话: 0769-85337633
 邮箱: 2850175888@qq.com 传真: 0769-85382827

PART. NO:	KDFH-0180
DWG. NO:	ENDE1180
REV:	AO
SHEET:	1/1