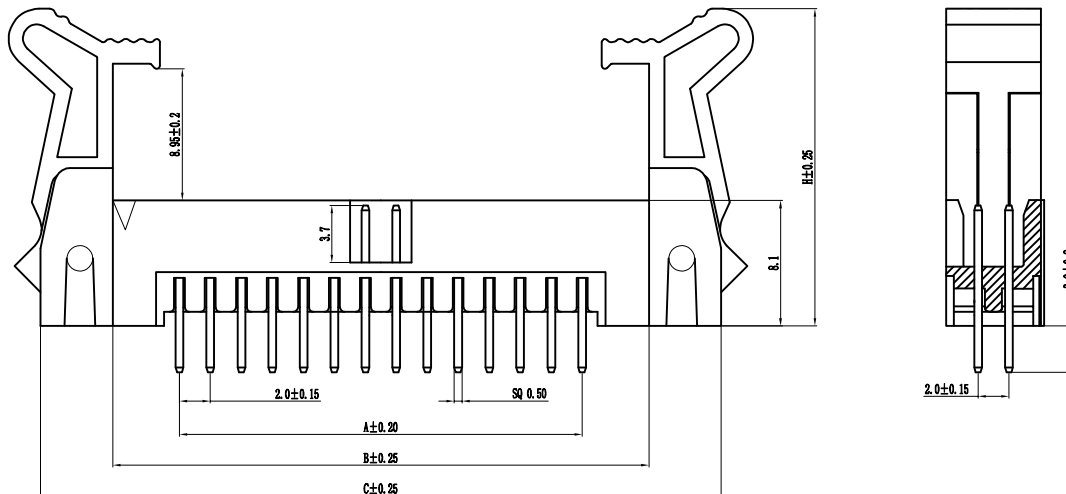
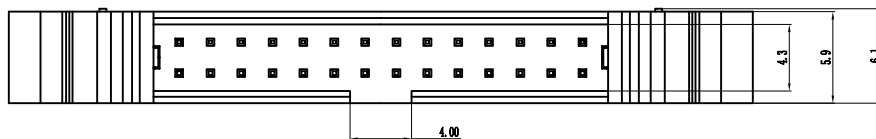
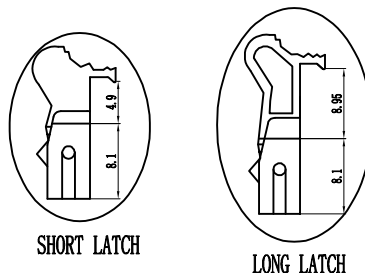
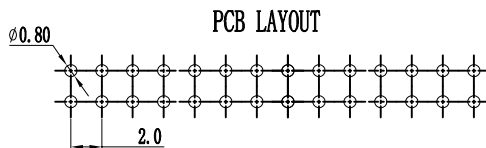


# 环保物料

Pin数	尺寸A	尺寸B	尺寸C
2×6	10.00	18.30	27.90
2×8	14.00	22.30	31.90
2×10	18.00	26.30	35.90
2×12	22.00	30.30	39.90
2×14	26.00	34.30	43.90
2×16	30.00	38.30	47.90
2×18	34.00	42.30	51.90
2×20	38.00	46.30	55.90
2×22	42.00	50.30	59.90
2×24	46.00	54.30	63.90
2×26	50.00	58.30	67.90
2×28	54.00	62.30	71.90
2×30	58.00	66.30	75.90
2×32	62.00	70.30	79.90
2×34	66.00	74.30	83.90
2×36	70.00	78.30	87.90
2×38	74.00	82.30	91.90
2×40	78.00	86.30	95.90
2×42	82.00	90.30	99.90
2×44	86.00	94.30	103.90
2×46	90.00	98.30	107.90
2×48	94.00	102.30	111.90
2×50	98.00	106.30	115.90
2×52	102.00	110.30	119.90
2×54	106.00	114.30	123.90
2×56	110.00	118.30	127.90
2×58	114.00	122.30	131.90
2×60	118.00	126.30	135.90



Specification:  
 Current Rating : 1.5AMP  
 Temperature Range : -40℃to+105℃  
 Contact Resistance : 20mΩ Max  
 Insulation Resistance : 1000MΩ Min  
 Withstanding Voltage : AC 500V  
 Material:  
 Insulator : Polyester (UL94V-0)  
 Standard:PBT/PA6T/LCP  
 Contact: Brass  
 Plating : Au or Sn Over 50u" Ni



**E 20 0D-XXX X X -XX-X-XXX**  
 ① ② ③ ④ ⑤ ⑥ ⑦ ⑧ ⑨

① Series No: P=Pin Header F=Female Header B=Box Header E=Ejector Header	② Pitch: 09-0.80 10-1.00 12-1.27 20-2.00 25-2.54 39-3.96 50-5.08	③ Tail/Mounting Style: 9D-Right Angle DIP Type 9S-Straight SMT Type 0D-Straight DIP Type 0S-Horizontal SMT Type	④ No. of Pins: Single Row Double Row 101=1*1Pin 201=2*1Pin 102=1*2Pin 202=2*2Pin : : : : 140=1*40pin 240=2*40pin	⑤ Insulator Color: A:Black B:Brown C:Red D:Orange E:Yellow F:Green G:Blue H:Violet J:Gray K:White P:Light Blue
⑥ Material Type: A-PBT B-PA46 C-PA6T D-PA9T E-LCP	⑦ Plating Type: 0*-Sn-Au 1*-Ni 2*-Sn 3*-Matte-Tin 5*-Au 0A-Sn-Au 1u" 0F-Sn-Au 10u" 5A-Au 1u" 0B-Sn-Au 2u" 0C-Sn-Au 15u" 5B-Au 2u" 0C-Sn-Au 3u" 0H-Sn-Au 30u" 5C-Au 3u" 0D-Sn-Au 4u" 0I-Sn-Au 40u" : 0E-Sn-Au 5u" 0J-Sn-Au 50u" 5J-Au 50u"	⑧ RoHS Request: 0:No Request 1:RoHS 2:HF (Halogen Free)	⑨ Customer Code	

		GENERAL TOLERANCES		SCALE:	NAME	DATE
		LINEAR	ANGLES	1:1		
		0.0±0.25	X° REF±6°	APPROVED	黎腾	2017.06.16
A0	新图面发行	0.00±0.15	X° ±3°	DESIGNER	肖坤权	2017.06.16
REV.	REVISION RECORD	0.000±0.08	X° X'±2°	DRAWN	旷淇	2017.06.16

**康导新能源**  
 网址: www.dgonne.com 电话: 0769-8537633  
 邮箱: 2850175968@qq.com 传真: 0769-85392827

PART. NO:	KDEH-0009
DWG. NO:	ENDE3009
REV:	A0
SHEET:	1/1