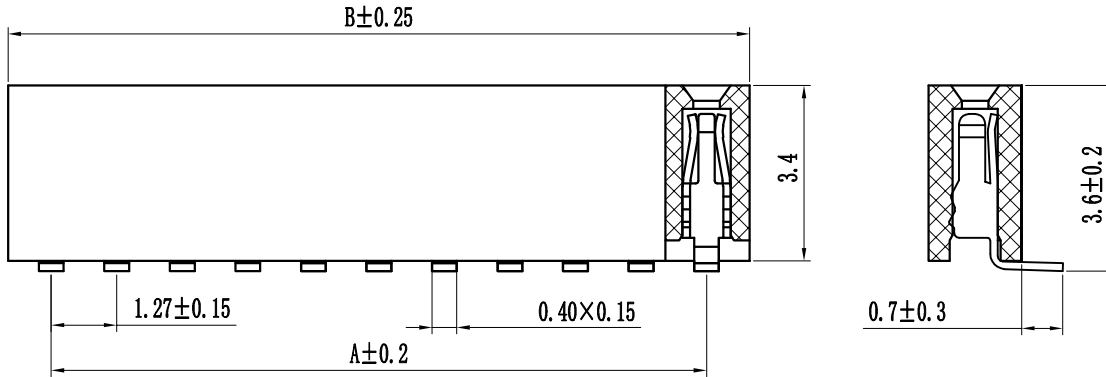
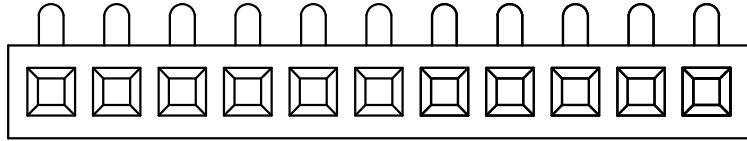
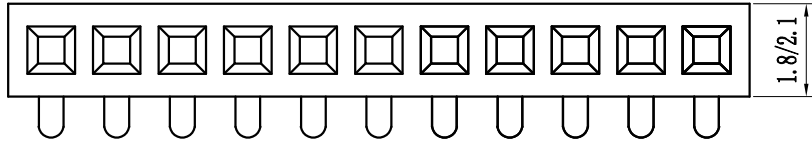
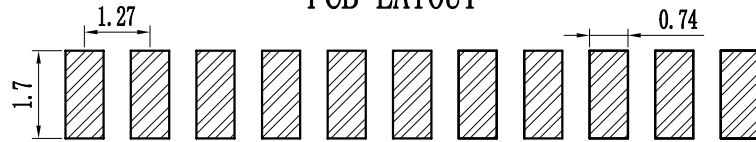


环保物料

| Pin数 | 尺寸A   | 尺寸B   |
|------|-------|-------|
| 1x2  | 1.27  | 2.94  |
| 1x3  | 2.54  | 4.21  |
| 1x4  | 3.81  | 5.48  |
| 1x5  | 5.08  | 6.75  |
| 1x6  | 6.35  | 8.02  |
| 1x7  | 7.62  | 9.29  |
| 1x8  | 8.89  | 10.56 |
| 1x9  | 10.16 | 11.83 |
| 1x10 | 11.43 | 13.10 |
| 1x11 | 12.70 | 14.37 |
| 1x12 | 13.97 | 15.64 |
| 1x13 | 15.24 | 16.91 |
| 1x14 | 16.51 | 18.18 |
| 1x15 | 17.78 | 19.45 |
| 1x16 | 19.05 | 20.72 |
| 1x17 | 20.32 | 21.99 |
| 1x18 | 21.59 | 23.26 |
| 1x19 | 22.86 | 24.53 |
| 1x20 | 24.13 | 25.80 |
| 1x21 | 25.40 | 27.07 |
| 1x22 | 26.67 | 28.34 |
| 1x23 | 27.94 | 29.61 |
| 1x24 | 29.21 | 30.88 |
| 1x25 | 30.48 | 32.15 |
| 1x26 | 31.75 | 33.42 |
| 1x27 | 33.02 | 34.69 |
| 1x28 | 34.29 | 35.96 |
| 1x29 | 35.56 | 37.23 |
| 1x30 | 36.83 | 38.50 |
| 1x31 | 38.10 | 39.77 |
| 1x32 | 39.37 | 41.04 |
| 1x33 | 40.64 | 42.31 |
| 1x34 | 41.91 | 43.58 |
| 1x35 | 43.18 | 44.85 |
| 1x36 | 44.45 | 46.12 |
| 1x37 | 45.72 | 47.39 |
| 1x38 | 46.99 | 48.66 |
| 1x39 | 48.26 | 49.93 |
| 1x40 | 49.53 | 51.20 |
| 1x41 | 50.80 | 52.47 |
| 1x42 | 52.07 | 53.74 |
| 1x43 | 53.34 | 55.01 |
| 1x44 | 54.61 | 56.28 |
| 1x45 | 55.88 | 57.55 |
| 1x46 | 57.15 | 58.82 |
| 1x47 | 58.42 | 60.09 |
| 1x48 | 59.69 | 61.36 |
| 1x49 | 60.96 | 62.63 |
| 1x50 | 62.23 | 63.90 |



PCB LAYOUT



Specification:

Current Rating : 1AMP

Temperature Range : -40°Cto+105°C

Contact Resistance : 20mΩ Max

Insulation Resistance : 1000MΩ Min

Withstanding Voltage : AC 500V

Material:

Insulator : Polyester (UL94V-0)

Standard:PA6T/LCP

Contact: Bronze

Plating : Au or Sn Over 50u" Ni

F 12 9S-XXX X X-XX-X-XXX  
① ② ③ ④ ⑤ ⑥ ⑦ ⑧ ⑨

|   |   |   |   |  |
|---|---|---|---|--|
| ① Series No:<br>P=Pin Header<br>F=Female Header<br>B=Box Header<br>E=Ejector Header | ② Pitch:<br>08=0.80<br>10=1.00<br>12=1.27<br>20=2.00<br>25=2.54<br>39=3.96<br>50=5.08   | ③ Tail/Mounting Style:<br>9D=Right Angle DIP Type<br>9S=Straight SMT Type<br>0D=Straight DIP Type<br>0S=Horizontal SMT Type | ④ No. of Pins:<br>Single Row<br>101=1*1Pin<br>102=1*2Pin<br>140=1*40pin | ⑤ Insulator Color:<br>A:Black B:Brown C:Red<br>D:Orange E:Yellow F:Green<br>G:Blue H:Violet J:Gray<br>K:White P:Light Blue |
| ⑥ Material Type:<br>A=PBT<br>B=PA46<br>C=PA6T<br>D=PA9T<br>E=LCP                    | ⑦ Plating Type:<br>0*-Sn-Au 1*-Ni 2*-Sn 3*-Matte-Tin 5*-Au<br>0A-Sn-Au 1u" 0F-Sn-Au 10u" 5A-Au 1u"<br>0B-Sn-Au 2u" 0G-Sn-Au 15u" 5B-Au 2u"<br>0C-Sn-Au 3u" 0H-Sn-Au 30u" 5C-Au 3u"<br>0D-Sn-Au 4u" 0I-Sn-Au 40u" 5D-Au 4u"<br>0E-Sn-Au 5u" 0J-Sn-Au 50u" 5J-Au 50u" | ⑧ RoHS Request:<br>0:No Request<br>1:RoHS<br>2:HF (Halogen Free)  | ⑨ Customer Code   |  |

| REV. | REVISION RECORD | DATE       | UNIT: MM | GENERAL TOLERANCES |           | SCALE:<br>1:1 | NAME | DATE       |
|------|-----------------|------------|----------|--------------------|-----------|---------------|------|------------|
|      |                 |            |          | LINEAR             | ANGLES    |               |      |            |
|      |                 |            |          | 0.0±0.25           | X° REF±6° | APPROVED      | 黎腾   | 2017.06.16 |
| A0   | 新图面发行           | 2017.06.16 | MM       | 0.00±0.15          | X° ±3°    | DESIGNER      | 肖坤权  | 2017.06.16 |
|      |                 |            | A4       | 0.000±0.08         | X° X'±2°  | DRAWN         | 旷淇   | 2017.06.16 |



|           |           |
|-----------|-----------|
| PART. NO: | KDFH-0025 |
| DWG. NO:  | ENDE1025  |
| REV:      | A0        |
| SHEET:    | 1/1       |