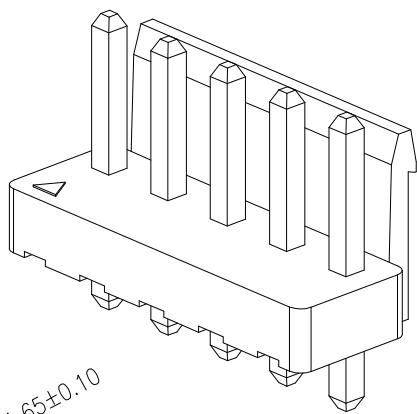
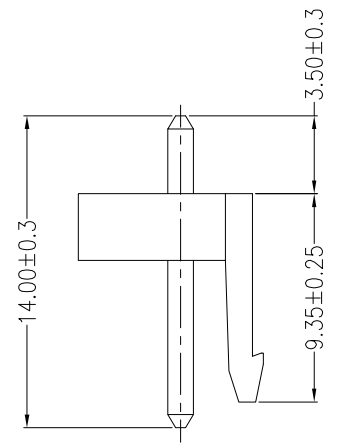
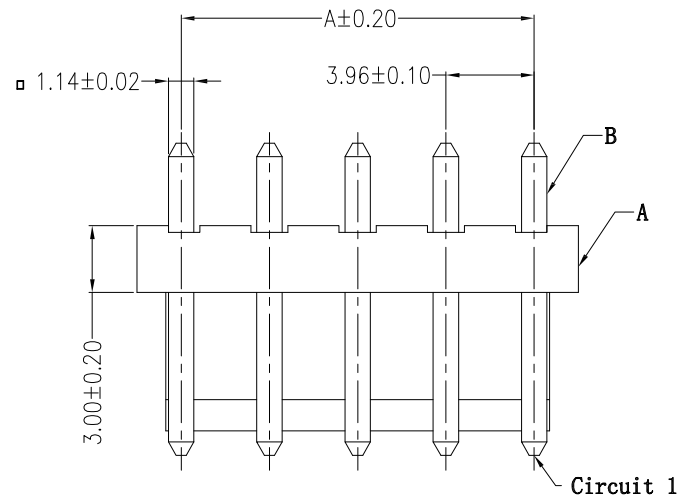


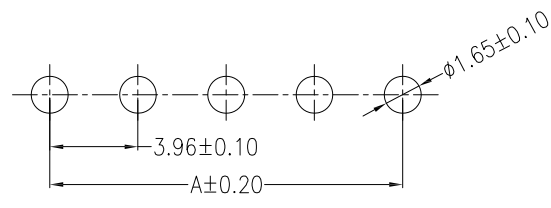
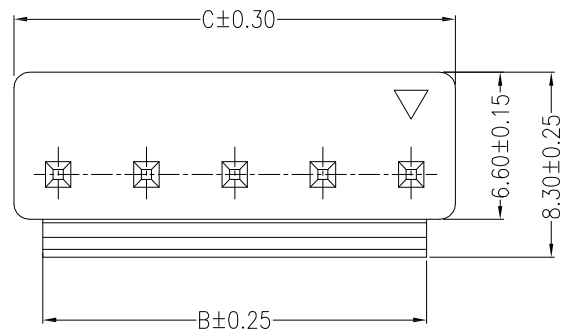
环保物料

主要技术参数 Main Specifications

- 线数 (Poles): 02 to 14
- 接触电阻 (Contact resistance): $\leq 20m\Omega$
- 绝缘电阻 (Insulation resistance): $\geq 1000M\Omega$
- 额定电压 (Rated voltage): 250V AC DC
- 额定电流 (Rated current): 7.0A AC DC
- 耐电压 (Withstand Voltage): 1500V AC/minute
- 温度范围 (Temperature Range): $-25^{\circ}C \sim +85^{\circ}C$



Circuits	Dimensions (mm)		
	A	B	C
02	3.96	5.00	7.94
03	7.92	8.96	11.90
04	11.88	12.92	15.82
05	15.84	16.88	19.82
06	19.80	20.84	23.78
07	23.76	24.80	27.74
08	27.72	28.76	31.70
09	31.68	32.76	35.66
10	35.64	36.68	39.62
11	39.60	40.64	43.58
12	43.56	44.60	47.54
13	47.52	48.56	51.80
14	51.48	52.52	55.46



SUGGESTED PCB LAYOUT
(COMPONENT SIDE)

ITEM	COMPONENT	Q'TY	MATERIAL	FINISH
C				
B	CONTACT	2~14 PCS	Brass	Sn-plated
A	HOUSING	1 PCS	PA66	COLOR:White

REV.	REVISION RECORD	DATE	UNIT: MM	GENERAL TOLERANCES		SCALE: 1:1	NAME	DATE	康导新能源 网址: www.dgonns.com 电话: 0769-85337633 邮箱: 2850175986@qq.com 传真: 0769-85392827	PART. NO: 23962A	
				LINEAR	ANGLES					APPROVED	DESIGNER
A0	新图面发行	2017.06.16	MM	0.00±0.25	X° ±3°		黎腾	2017.06.16			
				0.00±0.15	X° X'±2°		肖坤权	2017.06.16			
							旷淇	2017.06.16			



TITLE: 3.96mmPITCH 180° WAFER DIP TYPE

PART. NO: 23962A	
DWG. NO:	
REV: A0	SHEET: 1/1