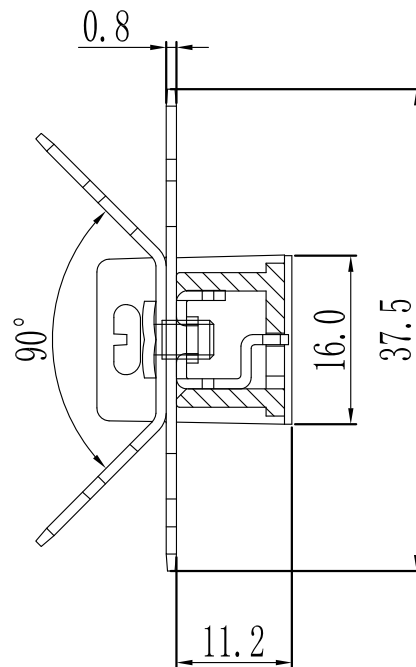
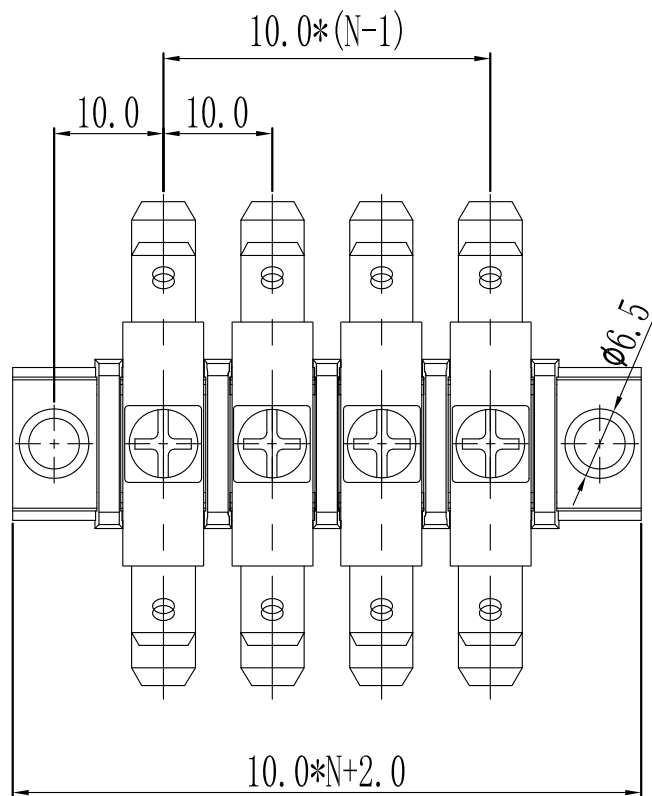
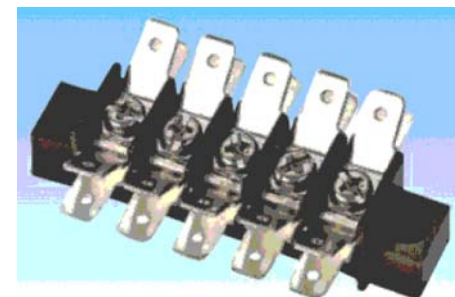


环保物料



产品型号	MODEL	KD-55B
材质&电镀	MATERIAL&PLATING	
螺丝	Screw	M4.0, 钢, 镀镍 Steel, Nickel Plated
端子	Terminal	黄铜, 0.8t 镀锡 Brass, Tin Plated
塑件	Housing	PA66, UL94V-0
电气性能	ELECTRICAL	
额定电压	Rated voltage	300V
额定电流	Rated current	25A
绝缘电阻	Insulation resistance	500M $\Omega$ /DC500V
耐电压	Withstanding voltage	AC2000V/1min
使用线径	Wire range	22-12AWG 4.0mm <sup>2</sup>
机械性能	MECHANICAL	
温度范围	Temp. range	-40 $^{\circ}$ C~+105 $^{\circ}$ C
扭矩	Torque	1.2N.m 10.53Lb.in



N=Number of Contacts

				GENERAL TOLERANCES		SCALE:	NAME	DATE	<b>康导新能源</b> 网址: www.dgconne.com 电话: 0789-85337833 邮箱: 2850178988@qq.com 传真: 0789-85392827	PART. NO:	
				LINEAR	ANGLES	1:1	APPROVED	黎腾		2017.06.16	KDTB0260
				0.0 $\pm$ 0.35	X $^{\circ}$ REF $\pm$ 6 $^{\circ}$		DESIGNER	肖坤权		2017.06.16	DWG. NO:
A0	新图面发行	2017.06.16	UNIT: MM	0.00 $\pm$ 0.25	X $^{\circ}$ $\pm$ 3 $^{\circ}$		DRAWN	旷淇		2017.06.16	REV: A0
REV.	REVISION RECORD	DATE	SIZE: A4	0.000 $\pm$ 0.15	X $^{\circ}$ X' $^{\circ}$ $\pm$ 2 $^{\circ}$	TITLE:				SHEET: 1/1	
				Pitch10.00mm American/Japanese Terminal Blocks							