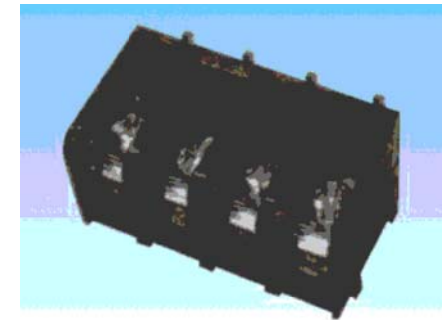
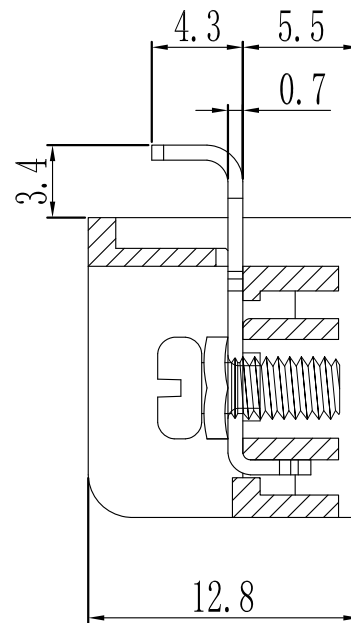
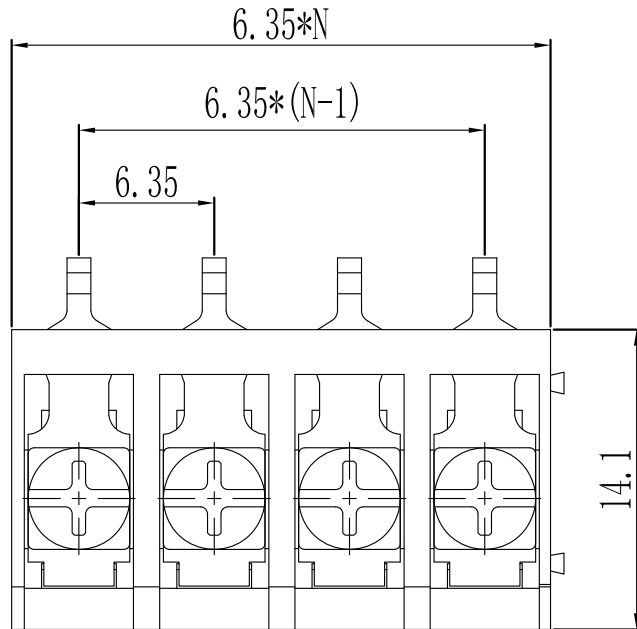


环保物料

产品型号	MODEL	HB-635(侧弯针)
材质&电镀	MATERIAL&PLATING	
螺丝	Screw	M2.5, 钢, 镀镍 Steel, Nickel Plated
端子	Terminal	黄铜, 0.7t 镀锡 Brass, Tin Plated
塑件	Housing	PA66, UL94V-0
电气性能	ELECTRICAL	
额定电压	Rated voltage	300V
额定电流	Rated current	16A
绝缘电阻	Insulation resistance	500MΩ/DC500V
耐电压	Withstanding voltage	AC2000V/1min
使用线径	Wire range	22-16AWG 1.5mm ²
机械性能	MECHANICAL	
温度范围	Temp. range	-40°C ~ +105°C
扭矩	Torque	0.4N.m 3.54Lb.in



N=Number of Contacts

		GENERAL TOLERANCES		SCALE: 1:1	NAME	DATE	康 导 新 能 源 网址: www.dgonne.com 电话: 0769-85337833 邮箱: 2850176886@qq.com 传真: 0769-85392827	PART. NO: KDTB0248	
		LINEAR	ANGLES	APPROVED	黎腾	2017.06.16		DWG. NO:	
A0	新图面发行	2017.06.16	UNIT: MM	0.0±0.35	X° REF±6°	DESIGNER	肖坤权	2017.06.16	TITLE: Pitch6.35mm American/Japanese Terminal Blocks
REV.	REVISION RECORD	DATE	SIZE: A4	0.00±0.25	X° ±3°	DRAWN	旷淇	2017.06.16	REV: A0 SHEET: 1/1